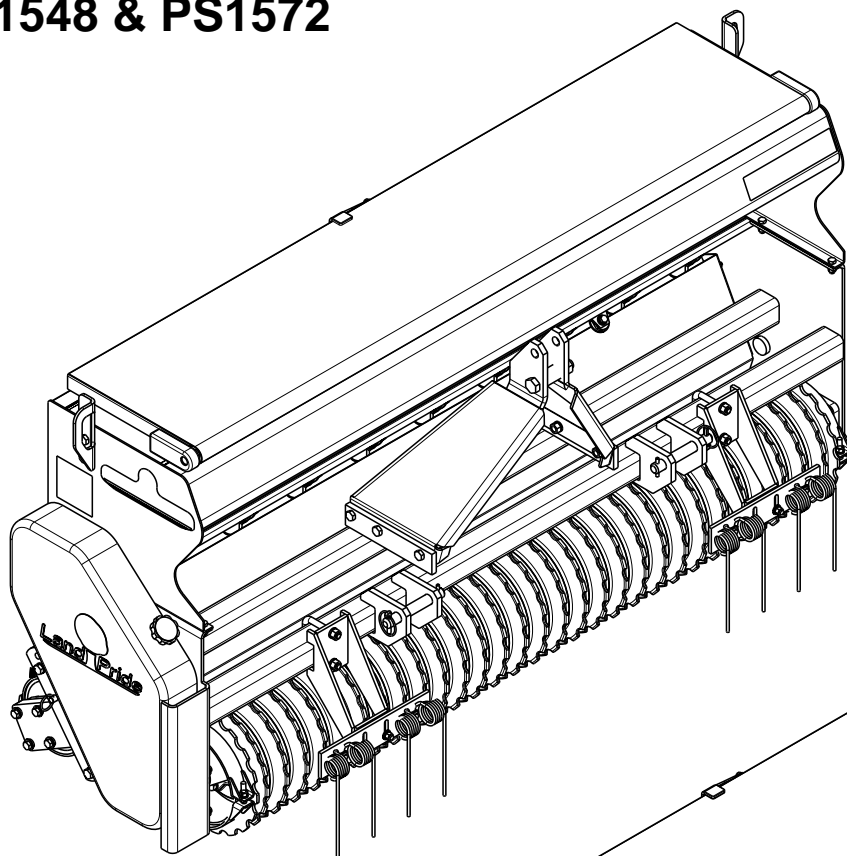
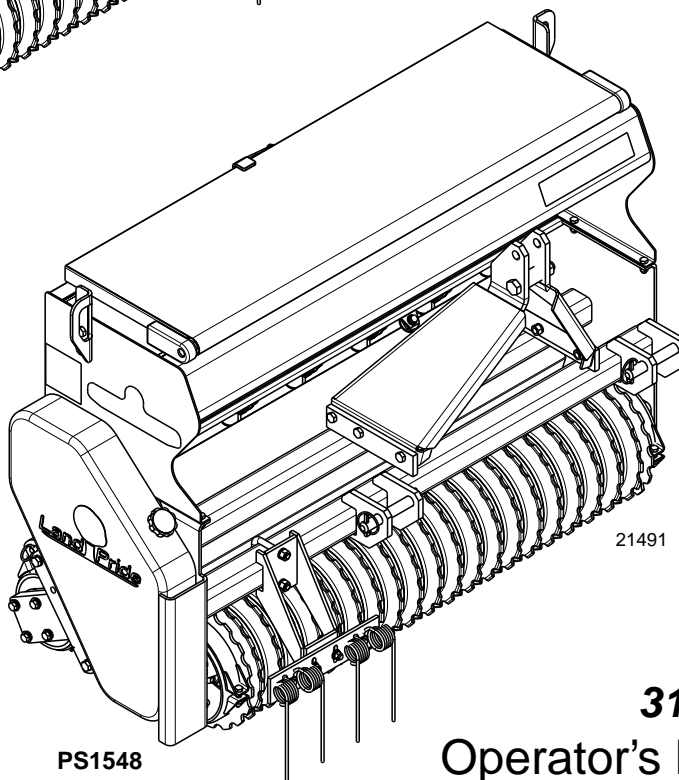


Primary Seeder

PS1548 & PS1572



PS1572



PS1548

21491

313-164M Operator's Manual



Read the Operator's manual entirely. When you see this symbol, the subsequent instructions and warnings are serious - follow without exception. Your life and the lives of others depend on it!



© Copyright 2005 Printed 7/22/05

Cover photo may show optional equipment not supplied with standard unit.

Important Safety Information	1	Section 3: Seeding Adjustments	10
Signal Words	1	Seed Rate Speed Change	10
Safety Labels	4	Seeding Adjustments	11
Introduction	5	PS1548 Seed Rate Charts (Pounds per 1000 square foot and Pounds per acre)	12
Application	5	PS1548 Seed Rate Charts (Metric) (Kilograms per 1000 square meter and Kilograms per hectare)	14
Using This Manual	5	PS1572 Seed Rate Charts	16
Terminology	5	PS1572 Seed Rate Charts (Metric)	18
Definitions	5	Section 4: Maintenance & Lubrication	20
Owner Assistance	5	Maintenance	20
Serial Number Plate	5	Storage	20
Further Assistance	5	Lubrication	20
Section 1: Assembly and Set-up	6	Feed Cup Drive Shaft	20
Pre-Assembly Checklist	6	Roller Bearings	20
Sling Bracket	6	Roller Bearings	21
Section 2: Operating Instructions	7	Packer Wheel to Seed Cup Roller Chains	21
General Description	7	Section 5: Specifications & Capacities	22
Operating Check List	7	Section 6: Features and Benefits	23
Seeder Preparation	7	Section 7: Troubleshooting	24
Tractor Requirements	7	Section 8: Appendix	25
Tractor 3-Point Hookup	8	Torque Values Chart for Common Bolt Sizes	25
Transporting	8	Notes	26
Parking	8	Warranty	27
Drive System	8		
Roller Packing Wheels	8		
General Operating Instructions	9		

© Copyright 2005 All rights Reserved

Land Pride provides this publication "as is" without warranty of any kind, either expressed or implied. While every precaution has been taken in the preparation of this manual, Land Pride assumes no responsibility for errors or omissions. Neither is any liability assumed for damages resulting from the use of the information contained herein. Land Pride reserves the right to revise and improve its products as it sees fit. This publication describes the state of this product at the time of its publication, and may not reflect the product in the future.

Land Pride is a registered trademark.

All other brands and product names are trademarks or registered trademarks of their respective holders.

Printed in the United States of America.

Important Safety Information

These are common practices that may or may not be applicable to the products described in this manual.

Signal Words

A Signal word designates a degree or level of hazard seriousness. The signal words are:

▲ DANGER!

Indicates an imminently hazardous situation which, if not avoided, will result in death or serious injury. This signal word is limited to the most extreme situations, typically for machine components that, for functional purposes, cannot be guarded.

▲ WARNING

Indicates a potentially hazardous situation which, if not avoided, could result in death or serious injury, and includes hazards that are exposed when guards are removed. It may also be used to alert against unsafe practices.

▲ CAUTION

Indicates a potentially hazardous situation which, if not avoided, may result in minor or moderate injury. It may also be used to alert against unsafe practices.

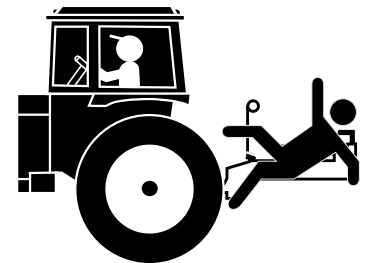


This is the safety alert symbol. It means:

**ATTENTION!
BECOME ALERT!
YOUR SAFETY IS INVOLVED!**

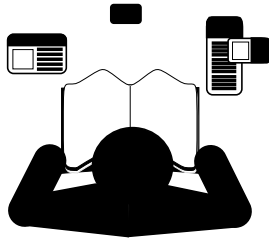
Keep Riders Off Machinery

- ▲ Riders obstruct the operator's view, they could be struck by foreign objects or thrown from the machine.
- ▲ Never allow children to operate equipment.



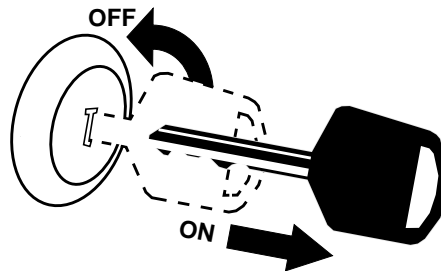
For Your Protection

- ▲ Thoroughly read and understand the "Safety Label" section, read all instructions noted on them.



Shutdown and Storage

- ▲ Lower machine to ground, put tractor in park, turn off engine, and remove the key.
- ▲ Detach and store implements in a area where children normally do not play. Secure implement by using blocks and supports.

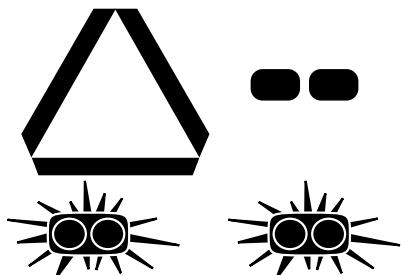


Important Safety Information

These are common practices that may or may not be applicable to the products described in this manual.

Use Safety Lights and Devices

- ▲ Slow moving tractors, self-propelled equipment, and towed implements can create a hazard when driven on public roads. They are difficult to see, especially at night.
- ▲ Flashing warning lights and turn signals are recommended whenever driving on public roads. Use lights and devices provided with implement.

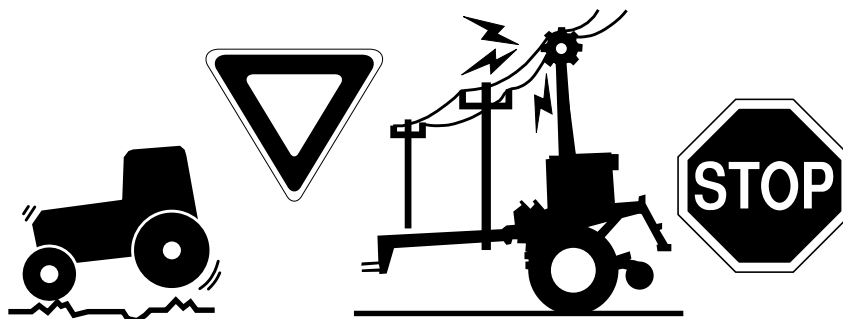


Transport Machinery Safely

- ▲ Comply with state and local laws.
- ▲ Maximum transport speed for implement is 20 mph. **DO NOT EXCEED.** Never travel at a speed which does not allow adequate control of steering and stopping. Some rough terrains require a slower speed.
- ▲ Sudden breaking can cause a towed load to swerve and upset.

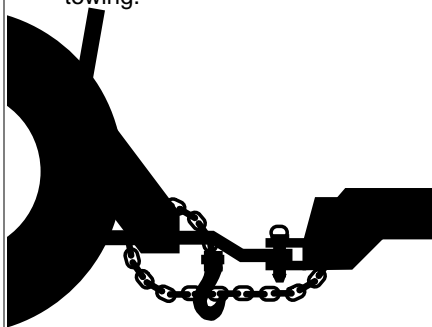
Reduce speed if towed load is not equipped with breaks.

- ▲ Use the following maximum speed - tow load weight ratios as a guideline:
- ▲ **20 mph** when weight is less than or equal to the weight of tractor.
- ▲ **10 mph** when weight is double the weight of tractor.
- ▲ **IMPORTANT:** Do not tow a load that is more than double the weight of tractor.



Use A Safety Chain

- ▲ A safety chain will help control drawn machinery should it separate from the tractor drawbar.
- ▲ Use a chain with the strength rating equal to or greater than the gross weight of the towed machinery.
- ▲ Attach the chain to the tractor drawbar support or other specified anchor location. Allow only enough slack in the chain to permit turning.
- ▲ Do not use safety chain for towing.



Practice Safe Maintenance

- ▲ Understand procedure before doing work. Use proper tools and equipment, refer to Operator's Manual for additional information.
- ▲ Work in a clean dry area.
- ▲ Lower the implement to the ground, put tractor in park, turn off engine, and remove key before performing maintenance.

- ▲ Allow implement to cool completely.
- ▲ Do not grease or oil implement while it is in operation.
- ▲ Inspect all parts. Make sure parts are in good condition & installed properly.
- ▲ Remove buildup of grease, oil or debris.
- ▲ Remove all tools and unused parts from implement before operation.

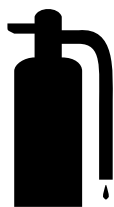
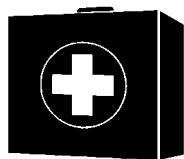


Important Safety Information

These are common practices that may or may not be applicable to the products described in this manual.

Prepare for Emergencies

- ▲ Be prepared if a fire starts.
- ▲ Keep a first aid kit and fire extinguisher handy.
- ▲ Keep emergency numbers for doctor, ambulance, hospital and fire department near phone.



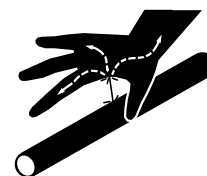
Wear Protective Equipment

- ▲ Protective clothing and equipment should be worn.
- ▲ Wear clothing and equipment appropriate for the job. Avoid loose fitting clothing.
- ▲ Prolonged exposure to loud noise can cause hearing impairment or hearing loss. Wear suitable hearing protection such as earmuffs or earplugs.
- ▲ Operating equipment safely requires the full attention of the operator. Avoid wearing radio headphones while operating machinery.



Avoid High Pressure Fluids Hazard

- ▲ Escaping fluid under pressure can penetrate the skin causing serious injury.
- ▲ Avoid the hazard by relieving pressure before disconnecting hydraulic lines.
- ▲ Use a piece of paper or cardboard, NOT BODY PARTS, to check for suspected leaks.
- ▲ Wear protective gloves and safety glasses or goggles when working with hydraulic systems.
- ▲ If an accident occurs, see a doctor immediately. Any fluid injected into the skin must be surgically removed within a few hours or gangrene may result.

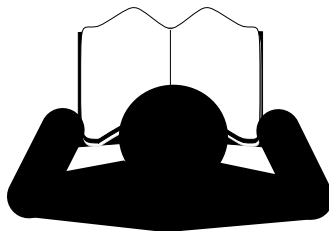


Safety at All Times

Thoroughly read and understand the instructions given in this manual before operation. Refer to the "Safety Label" section, read all instructions noted on them.

- ▲ Operator should be familiar with all functions of the unit.
- ▲ Operate implement from the driver's seat only.
- ▲ Do not leave tractor or implement unattended with engine running.
- ▲ Dismounting from a moving tractor could cause serious injury or death.

- ▲ Do not stand between the tractor and implement during hitching.
- ▲ Keep hands, feet, and clothing away from power-driven parts.
- ▲ Wear snug fitting clothing to avoid entanglement with moving parts.
- ▲ Watch out for wires, trees, etc., when raising implement. Make sure all persons are clear of working area.
- ▲ Turning tractor too tight may cause implement to ride up on wheels. This could result in injury or equipment damage.



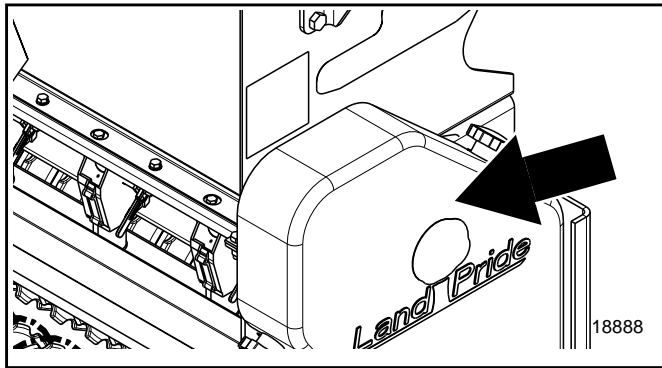
Important Safety Information

Safety Labels

Your Seeder comes equipped with all safety labels in place. They were designed to help you safely operate your Seeder. Read and follow their directions.

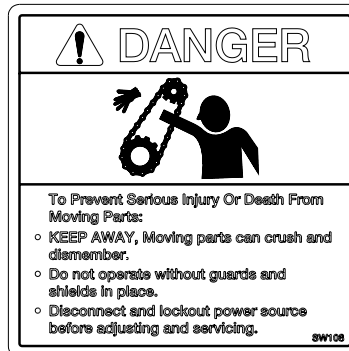
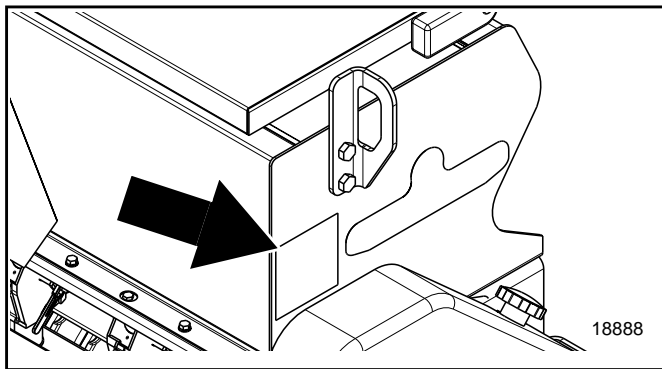
1. Keep all safety labels clean and legible.
2. Replace all damaged or missing labels.
3. Some new equipment installed during repair requires safety labels to be affixed to the replaced component as specified by Land Pride. When ordering new components make sure the correct safety labels are included in the request. To order new labels go to your Land Pride dealer.

4. Refer to this section for proper label placement. Install new decals as follows
 - a. Clean the area on which the decal is to be placed.
 - b. Spray soapy water on the surface where the decal is to be placed.
 - c. Peel backing from decal. Press firmly on surface, being careful not to cause air bubbles under decal.
 - d. Squeeze out air bubbles with the edge of a credit card.



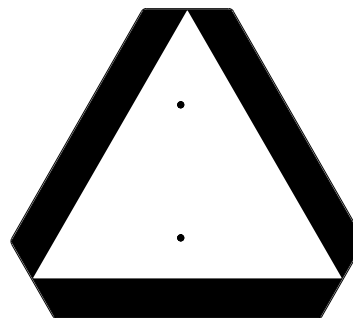
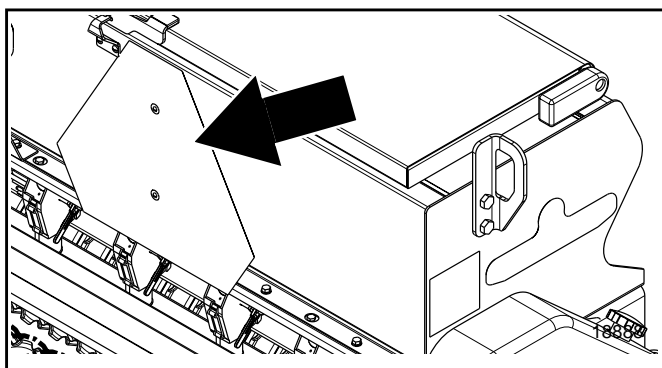
818-543C

DANGER: Guard Missing (Beneath Guard)



838-111C

DANGER: Keep away, Moving Parts



818-055C

SMV: Slow Moving Vehicle

Introduction

Land Pride welcomes you to the growing family of new product owners.

This implement has been designed with care and built by skilled workers using quality materials. Proper assembly, maintenance, and safe operating practices will help you get years of satisfactory use from the machine.

Application

The PS1548 and PS1572 Primary Seeders are excellent planting tools for professional contract landscapers, professional turf managers, and municipal grounds keepers. Their narrower widths make them very effective in seeding applications on residential lots, grassy medians, grassy parkings or right-of- ways adjacent to sidewalks, community parks, sporting facilities, and golf courses. Unlike wider models of seeders these units will do a more effective job of planting in areas where undulations, moguls, and depressions are prevalent. The main seed box is equipped with our standard fluted seed cups and an agitator enabling highly accurate and uniform delivery of most turf grass seeds as well as a wide variety of other seeds ranging from alfalfa to peas.

See “**Section 5: Specifications & Capacities**” on page 22 and “**Section 6: Features and Benefits**” on page 23 for additional information.

Using This Manual

- This Operator’s Manual is designed to help familiarize you with safety, assembly, operation, adjustments, troubleshooting, and maintenance. Read this manual and follow the recommendations to help ensure safe and efficient operation.
- The information contained within this manual was current at the time of printing. Some parts may change slightly to assure you of the best performance.
- To order a new Operator’s or Parts Manual contact your authorized dealer. Manuals can also be downloaded, free-of-charge from our website at www.landpride.com or printed from the Land Pride Service & Support Center by your dealer.

Terminology

"Right " or "Left" as used in this manual is determined by facing the direction the machine will travel while in use unless otherwise stated.

Definitions

IMPORTANT: A special point of information related to its preceding topic. Land Pride intention is that this information should be read and noted before continuing.

NOTE: A special point of information that Land Pride feels an operator must be aware of before continuing.

Owner Assistance

The Warranty Registration card should be filled out by the dealer at the time of purchase. This information is necessary to provide you with quality customer service.

If customer service or repair parts are required, contact a Land Pride dealer. A dealer has trained personnel, repair parts and equipment needed to service the implement.

The parts on your PS1548 & PS1572 Primary Seeder have been specially designed and should only be replaced with genuine Land Pride parts. Therefore, should your Primary Seeder require replacement parts go to your Land Pride Dealer.

Serial Number Plate

Refer to the Figure 1 for location of your serial number plate.

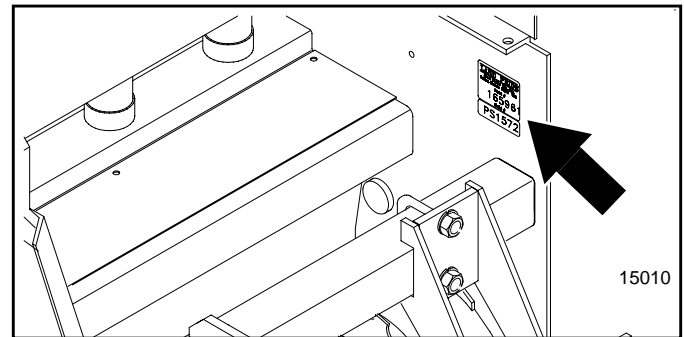


Figure 1

Further Assistance

For prompt service always use the serial number and model number when ordering parts from your Land Pride dealer. Be sure to include your serial and model numbers in correspondence also.

Your dealer wants you to be satisfied with your new machine. If for any reason you do not understand any part of this manual or are not satisfied with the service received, the following actions are suggested:

1. Discuss the matter with your dealership Service Manager make sure they are aware of any problems you may have and that they have had the opportunity to assist you.
2. If you are still not satisfied, seek out the Owner or General Manager of the dealership, explain the problem and request assistance.
3. For further assistance write to:

Product Support

Land Pride, Service Department

1525 East North Street

P.O. Box 5060

Salina, Ks. 67402-5060

E-mail address

lp servicedept@landpride.com

Section 1: Assembly and Set-up

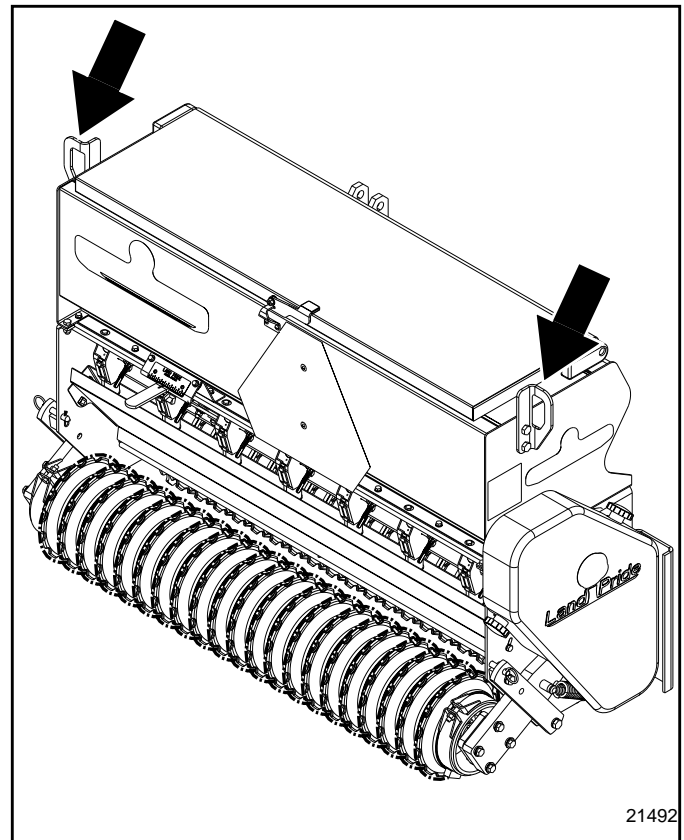
Pre-Assembly Checklist

Check	Reference
<input type="checkbox"/> All major frame components	Operator's Manual
<input type="checkbox"/> Fasteners and pins that were shipped with the seeder. NOTE: All hardware from the factory has been installed in the location where it will be used. If a part or fastener is temporarily removed for assembly reasons, remember where it goes. Keep the parts separated.	Operator's Manual
<input type="checkbox"/> All working parts are moving freely, bolts are tight and cotter pins are spread.	Operator's Manual
<input type="checkbox"/> If a pin, bolt or other part has been removed, and you are unsure where it is used, use the parts section of this manual to identify it. Be sure the part gets used in the correct location. By double checking while you assemble, you will lessen the chance of using a bolt incorrectly that may be needed later.	Operator's Manual
<input type="checkbox"/> All grease fittings are in place and lubricated.	Section 5 Page 20
<input type="checkbox"/> Proper tension and alignment on all drive chains.	Operator's Manual
<input type="checkbox"/> Safety decals are correctly located and legible. Replace if damaged.	Important Safety Information

Sling Bracket

Refer to Figure 1-1:

The sling brackets allow points at each end to hook the chain for lifting of the unit. When hooking the chain to the sling brackets, be certain to either use a spreader bar on the chain or use a long chain to prevent bending the sling brackets.



Sling Brackets
Figure 1-1



Section 2: Operating Instructions

General Description

The following information is a brief description of how this primary seeder works. It is included to help you understand the operation of this seeder.

The power to drive the seeding function of this seeder comes from the ground speed of the tractor. The seed metering is powered by the front roller at a rate proportional to the distance driven. This ensures that the rate applied in pounds per acre or pounds per 1000 square feet remains constant as ground speed is varied. The power is transmitted via drive chains to the seed cups. This drive can be adjusted to a high or low range to broadcast more or less seed. The seed rate is adjustable using the seed rate lever located at the rear of the seeder. The seed is dropped between cast iron rollers. The front roller crushes clods, presses down small stones and forms a firm seedbed. The rear roller firms the soil around the seeds.

Operating Check List

In addition to design and configuration of equipment, hazard control and accident prevention are dependent upon the awareness, concern, prudence and proper training involved in its operation, transport, maintenance and storage of equipment. Before beginning to operate your Primary Seeder, the following inspection should be performed.

Check	Reference
<input type="checkbox"/> Read and follow the "Safety Rules" carefully.	Important Safety Information
<input type="checkbox"/> Read all of the "Tractor Hook Up" and preparation instructions.	Section 2 page 8
<input type="checkbox"/> "Basic Operations" in this Manual	Operator's Manual
<input type="checkbox"/> Lubricate the seeder as needed. Refer to "Lubrication"	Section 5 page 20
<input type="checkbox"/> Check the seeder initially and periodically for loose bolts & pins, "Torque Values Chart".	Section 8 page 25
<input type="checkbox"/> Make sure all guards and shields are in place.	Operator's Manual
<input type="checkbox"/> Check initially and periodically for loose bolts, pins, and chains.	Operator' Manual
<input type="checkbox"/> Inspect the seed cups and seed tubes for foreign matter.	Section 4 page 24
<input type="checkbox"/> Set speed change sprocket for drive type desired.	Section 3 page 10
<input type="checkbox"/> Set seed rate. See "Seed Rate Charts".	Section 3 page 16

Seeder Preparation

Before proceeding with the first time set-up, or before making any adjustments mentioned in this section, make every effort to attach the seeder to a tractor.

1. This seeder can be transported with a full box of seeds. It is best not to do this unless necessary because the increased weight does increase the chances for problems on the road. Do not exceed 20 miles per hour.
2. Calibrate your seeder for a proper rate based on the seed you are using. Calibration information is located on the inside of your box lid or on page 11.
3. Make sure the seed cup door adjustment handle on each cup is set the same across the seeder.
4. Never allow anyone to ride on the seeder.
5. Maximum seeding speed will vary according to soil conditions.
6. Check that all plugs and caps have been replaced properly.
7. Be sure all bolts and nuts are tight.
8. Be certain all guards are in place and secure.
9. Clear the area to be seeded of rocks, branches and other foreign objects.
10. At first begin seeding at a slow forward speed and shift up until the desired speed is achieved.

Tractor Requirements

This Primary Seeder is designed for tractors in the Category 1 class.

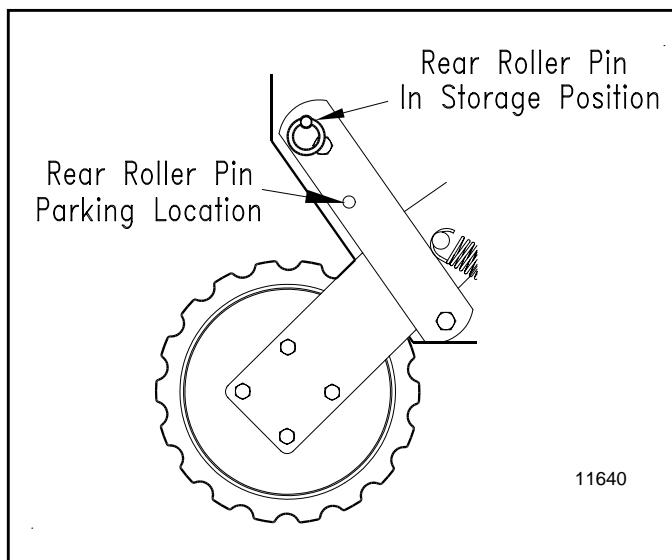
Check the tractor's 3-point lifting capacity. Refer to "Section 5: Specifications & Capacities" on Page 22 for seeder weight.

NOTE: In order to maintain steering control, ballast may have to be added to your tractor. To determine whether or not to add ballast, refer to your tractor operator's manual.

Section 2: Operating Instructions

Tractor 3-Point Hookup

1. Back tractor up to seeder until 3-Point links are aligned with hitch clevises on seeder.
2. Secure tractor's 3-Point lower links to the lower hitch clevises using 7/8" diameter hitch pins.
3. Secure tractor's top center link to the seeder top hitch using a 3/4" diameter hitch pin.
4. With the seeder resting on level ground, adjust the tractor's top link until the seeder is level.
5. Remove rear roller lock pin from parking position and place in storage position. Figure 2-1.

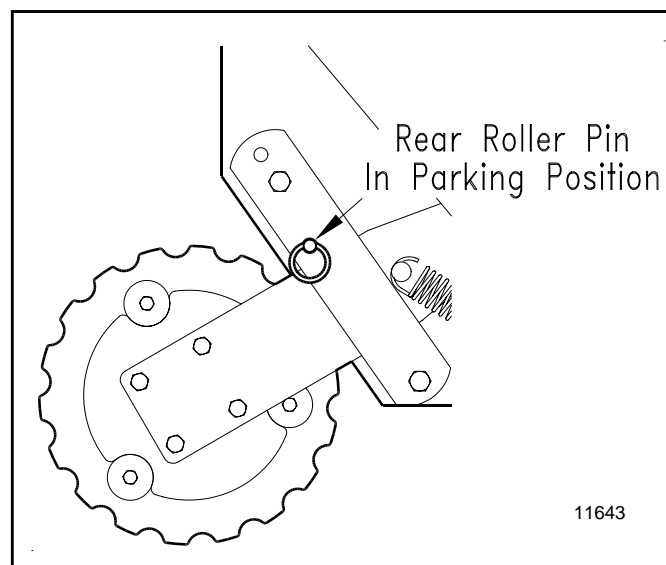


Rear Roller Pin in Field Position
Figure 2-1

Parking

The following steps should be done when preparing to store the seeder or unhitch it from the tractor. See also “**Section 4: Maintenance & Lubrication**” on Page 20 for additional information on long term storage of your seeder.

1. Park the seeder on a level, solid area.
4. Shut off tractor engine and engage parking brake.
5. To prevent the seeder from tipping backward, remove rear roller lock pin from storage position and place in parking position, Figure 2-2.
6. Unhitch from tractor.



Rear Roller Pin in Parking Position
Figure 2-2

Transporting

CAUTION

When traveling on public roads whether at night or during the day, use accessory light and devices for adequate warning to operators of other vehicles. Comply with all federal, state and local laws.

1. Select a safe ground travel speed when transporting from one area to another. When traveling on roadways, transport in such a way that faster moving vehicles may pass you safely.
2. Reduce tractor ground speed when turning. Leave enough clearance so the seeder does not contact obstacles such as buildings, trees or fences.
3. When traveling over rough or hilly terrain, shift tractor to a lower gear.

Drive System

Your Primary Seeder uses standard no. 40 roller chain throughout its drive system. The drive system is simple and designed for low maintenance.

1. Check the drive idler arms to insure that they are taking up any excess chain slack.
2. Check each chain to insure that it is not over-tightened.
3. Annually clean and lubricate chain with chain oil.

Roller Packing Wheels

The front and rear roller packing wheels should turn freely. In field position, the rear roller assembly should be free to float up and down to follow the terrain of your field. See Figure 2-1.

Section 2: Operating Instructions

General Operating Instructions

Once you have read the operators manual, properly installed the seeder to the tractors 3-point hitch, ran through the Operating Check List, filled the hopper with seed, and calibrated the unit for proper seed rate delivery, it's time to do some serious seeding.

The PS1548 and PS1572 have ground driven seed delivery systems. The power to drive the seeder comes from the forward momentum of the tractor. As the tractor moves forward the ground driven front roller compactor transfers power, via chain driven sprockets, to the seed metering system. So, the seed rate remains constant and in direct proportion to the distance traveled and is affected very little by actual ground speed.

As the front roller passes over areas to be seeded it crushes larger clods, presses down smaller stones, and firms the seedbed. Seed is then delivered at the precise predetermined uniform rate over the wind guarded seed drop to the area located between the front and rear rollers. The rear roller then presses the seed into firm contact with the soil to promote a superbly high germination rate. Seeding should not be attempted in wet or muddy conditions.

Now that you understand how it works its time to begin seeding. Make sure you have removed the rear roller lock pin from the storage or parking position.

You should already have removed any large stones or obstacles from the area you plan to seed. Line the tractor up for the first pass and choose a tractor gear selection that will deliver a ground speed of approximately 3-5 mph. Lower the three-point hitch and seeder slowly to the ground. At first begin driving forward slowly until you get comfortable with what you are doing. As you approach the end of the lane you are seeding, slow down and come to a stop while simultaneously raising the seeder off of the ground. With the seeder raised, turn around and line up for your next pass to repeat the seeding process. Look back often and make only gradual turns with your seeder on the ground to develop a uniform seeding pattern. The more experienced you become the better you will get at developing beautiful seed plots and beautiful lawns.

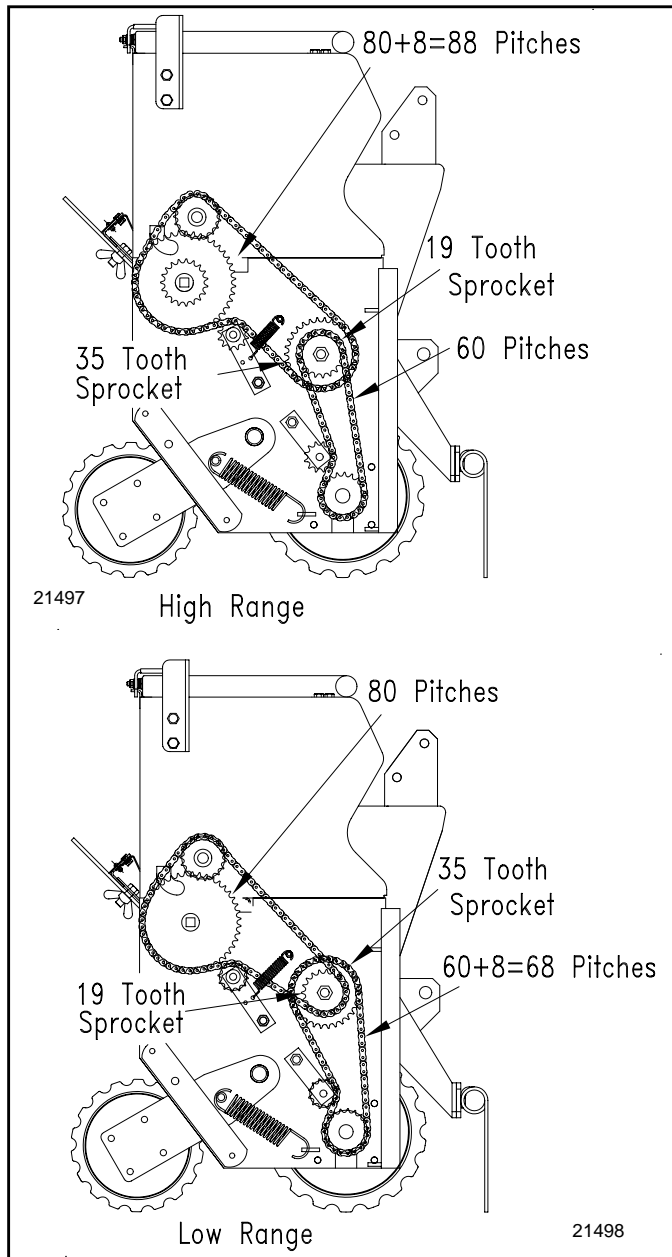
When you are done seeding, always clean the seeder out and perform all maintenance prescribed in the operator's manual. Never leave seed stored in the hopper for prolonged periods.

Section 3: Seeding Adjustments

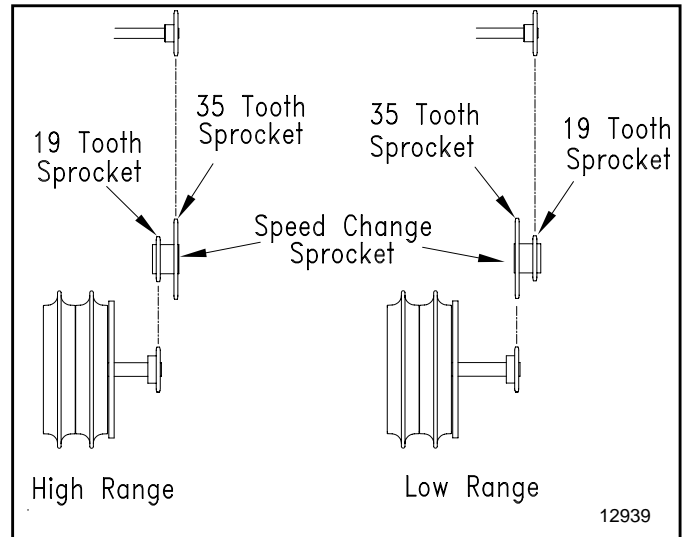
Seed Rate Speed Change

The seed rate speed change is designed to give you two speeds for different types of seeds and rates. The two drive types are high range (fast speed) and low range (slow speed). To change the drive type and chain pitch from High Range to Low Range, 8 pitches will need to be removed from chain, refer to Figure 3-1. Remove 5/8" nut, 5/8" lock washer and 5/8" flat washer. Flip speed change sprocket for desired drive type.

See Figure 3-2 for sprocket alignment.



**Speed Change & Chain Pitches
Figure 3-1**



**Sprocket Alignment
Figure 3-2**

Section 3: Seeding Adjustments

Seeding Adjustments

1. Using the seed rate charts, beginning on page 12, determine the seeding rate for the seed you will be planting and make the following adjustments.
 - a. Decide whether you need the slow or fast drive type. Change the speed change sprocket if necessary, to the desired drive type, see Figure 3-1 & Figure 3-2 on page 10.
 - b. Locate the seed rate adjustment handle at the rear of the seeder and move it to the indicator number obtained from the charts, see Figure 3-3. For best results, first move adjustment handle all the way to the left. Then move the handle to the desired setting, moving from a lower to a higher number.
2. There are many factors which will affect seeding rates: seed treatment, weight of seed, surface condition of seed or roller slippage. Minor adjustments may be needed to compensate for these factors.
3. The seed rate charts are based on average size seed. This may differ from the seed you are using. Use the seed rate charts as a guide. For lighter than average seed, the setting should be increased. For heavier than average seed, the setting should be decreased.
4. Complete the following procedure to calibrate the rate for your specific seed.
 - a. Place several pounds of seed over three of the seed cups at the outboard end of the seeder.
 - b. Raise the seeder off the ground and support safely, leaving front roller to rotate freely.

Rotate the front roller to see that the drive system is working properly and the seed cups are free from foreign matter.

NOTE: A 1/2" bolt is threaded into the right hand end of the front roller shaft. Turn the bolt clockwise for proper seed cup rotation.

- c. Place a drop cloth under the seeder to gather the seed as it is metered.
- d. Rotate the front roller 53 rotations for a PS1572 and 67 rotations for a PS1548 to get 1000 square feet or 2328 rotations for a PS1572 and 2921 for a PS1548 to get one acre. Be sure to check the three seed cups to make sure each cup has plenty of seed coming into it.

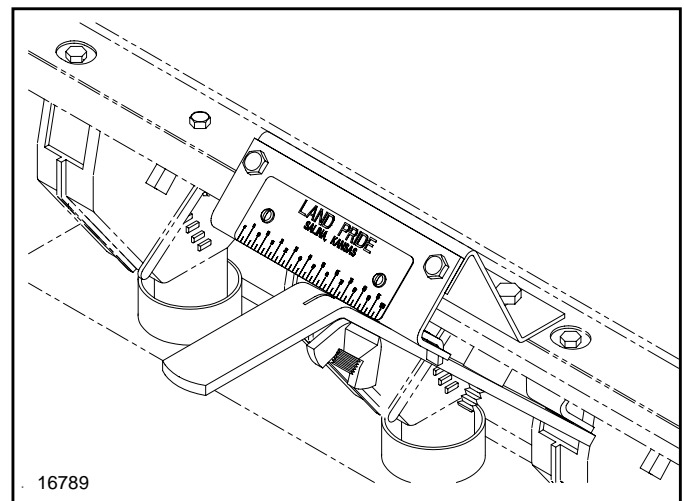
- e. Weigh the seed which has been metered. Divide by three. This will give you the ounces/pounds metered by each seed cup. Convert to pounds and multiply by the number of cups on your seeder to arrive at the total pounds per 1000 square feet your seeder would meter at that setting. If this figure is different than desired, set your seed cup adjustment lever accordingly.
5. You may want to repeat the calibration procedure if the results of your calibration vary greatly from the suggested settings on the chart.

NOTE: To determine seed rates for seeds not listed on the charts, compare weight and size to those listed and use a similar setting. Follow steps 4 and 5 to calibrate the seed rate.

REMEMBER: Field conditions will affect seeding rates. When seeding check the amount of seed you are using by noting acres or square feet seeded, amount of seed added to seeder, and level of seed in the seed box. If you suspect that you are seeding more or less seed than desired, and you have accurately calibrated the seeder to your seed, you may need to adjust the seeding rate slightly to compensate for field conditions.

NOTE: This seeder is equipped with a four-position door on each seed cup. The highest handle position is for small seeds, the second and third positions are for larger seeds. For application with this seeder, you will only need to use the highest position. **MAKE SURE** all handles are in the same position before seeding. The wide open position will allow complete clean out of the seed cup.

DO NOT open the cup to the wide open position with seed in the box unless complete clean out is desired.



Seed Rate Adjustment Handle
Figure 3-3

Section 3: Seeding Adjustments

PS1548 Seed Rate Charts (Pounds per 1000 square foot and Pounds per acre)

Cup Setting	0	5	10	15	20	25	30	35	40	45	50	55	60	65	70	75	80	85	90	95	100
Alfalfa (Pounds per Acre)																					
High Range	0	37.8	87.5	138.6	188.3	238.7	288.4	339.5	388.5	438.2	489.3	538.3	589.4	639.1	689.5	739.2	790.3	839.3	889.0	940.1	989.1
Low Range	0	11.9	28.0	44.1	59.5	75.6	91.7	107.8	123.2	138.6	154.7	170.8	186.9	202.3	218.4	234.5	250.6	266.0	281.4	297.5	313.6
Alfalfa (Pounds per 1000 Square Feet)																					
High Range	0.0	0.8	2.0	3.2	4.3	5.5	6.4	7.8	9.0	10.1	11.3	12.4	13.6	14.7	15.8	17.0	18.1	19.3	20.4	21.6	22.8
Low Range	0.0	0.3	0.6	1.0	1.4	1.8	2.1	2.5	2.8	3.2	3.6	3.9	4.3	4.6	5.0	5.4	5.7	6.1	6.4	6.9	7.2
Bent Grass (Pounds per Acre)																					
High Range	0	25.9	56.0	80.5	106.4	129.5	144.2	167.3	185.5	205.1	228.2	250.6	266.0	289.1	307.3	326.9	349.3	369.6	387.8	410.2	433.3
Low Range	0	11.9	20.3	29.4	37.8	46.2	53.9	62.3	69.3	77.0	85.4	91.7	98.0	104.3	111.3	117.6	122.5	128.8	133.7	138.6	143.5
Bent Grass (Pounds per 1000 Square Feet)																					
High Range	0.0	0.6	1.3	1.8	2.5	2.9	3.3	3.9	4.3	4.7	5.3	5.7	6.1	6.7	7.1	8.1	8.5	8.9	8.9	9.5	9.9
Low Range	0.0	0.3	0.5	0.7	0.8	1.1	1.3	1.4	1.6	1.8	2.0	2.1	2.2	2.4	2.5	2.7	2.8	2.9	3.1	3.2	3.3
Bermuda - Hulled (Pounds per Acre)																					
High Range	0	42.7	70.7	112.7	144.2	175.0	206.5	238.7	270.2	301.0	332.5	364.7	395.5	427.0	457.8	490.7	521.5	552.3	583.8	616.0	647.5
Low Range	0	13.3	22.4	35.7	45.5	55.3	65.1	75.6	85.4	95.2	105.0	115.5	125.3	135.1	144.9	155.4	165.2	175.0	184.8	195.3	205.1
Bermuda -Hulled (Pounds per 1000 Square Feet)																					
High Range	0.0	1.0	1.6	2.6	3.3	4.1	4.8	5.5	6.2	6.9	7.6	8.4	9.1	9.8	10.5	11.3	12.0	12.7	13.4	14.1	14.9
Low Range	0.0	0.3	0.5	0.8	1.1	1.3	1.5	1.8	2.0	2.2	2.7	2.7	2.9	3.1	3.4	3.6	3.8	4.0	4.3	4.5	4.7
Buffalo Grass Sharps Improved (Pounds per Acre)																					
High Range	0.00	0.0	0.0	15.4	36.4	53.2	74.2	91.0	111.3	129.5	149.1	168.7	181.3	205.1	224.7	246.4	259.7	276.5	291.9	301.0	303.8
Low Range	0.0	0.0	0.0	9.1	14.7	20.3	26.6	32.2	39.2	45.5	51.1	58.1	64.4	69.3	76.3	82.6	88.9	93.8	100.1	102.9	105.0
Buffalo Grass Sharps Improved (Pounds per 1000 Square Feet)																					
High Range	0.0	0.0	0.0	0.4	0.8	1.2	1.7	2.1	2.5	2.9	3.4	3.9	4.3	4.7	5.2	5.7	6.0	6.4	6.7	6.9	7.0
Low Range	0.0	0.0	0.0	0.2	0.4	0.5	0.6	0.8	0.9	1.1	1.2	1.3	1.5	1.6	1.8	1.9	2.0	2.2	2.3	2.4	2.5
Clover - Red (Pounds per Acre)																					
High Range	0.0	53.9	100.1	141.4	184.1	224.7	266.0	306.6	349.3	389.9	431.2	473.2	513.8	555.1	596.4	639.1	679.7	721.0	763.0	804.3	844.9
Low Range	0.0	16.8	31.5	44.8	58.1	71.4	84.0	97.3	110.6	123.9	136.5	149.8	163.1	175.7	189.0	202.3	215.6	228.2	242.2	254.8	268.1
Clover - Red (Pounds per 1000 Square Feet)																					
High Range	0.0	1.3	2.3	3.2	4.2	5.2	6.1	7.1	8.1	9.0	9.9	10.9	11.8	12.7	13.7	14.7	15.6	16.6	17.6	18.5	19.5
Low Range	0.0	0.4	0.7	1.1	1.3	1.6	2.0	2.2	2.5	2.9	3.2	3.4	3.8	4.1	4.3	4.6	5.0	5.3	5.5	5.9	6.2
Clover - White (Pounds per Acre)																					
High Range	0.0	53.9	105.7	156.8	207.9	260.4	310.8	361.9	414.9	464.8	515.9	568.4	618.8	669.9	722.4	772.8	823.9	876.4	926.8	977.9	1030.4
Low Range	0.0	16.8	33.6	49.7	65.8	82.6	98.7	114.8	130.9	147.7	163.8	179.9	196.0	213.1	228.9	245.0	261.1	277.9	294.0	310.1	326.2
Clover - White (Pounds per 1000 Square Feet)																					
High Range	0.0	1.3	2.5	3.6	4.8	6.0	7.1	8.3	9.5	10.7	11.8	13.1	14.2	15.4	16.6	17.8	19.0	20.2	21.3	22.5	23.7.4
Low Range	0.0	0.4	0.8	1.1	1.5	1.9	2.2	2.7	3.0	3.4	3.8	4.1	4.5	4.9	5.3	5.6	6.0	6.4	6.7	7.1	7.5
Fescue - Fine Blade, Turf Type (Pounds per Acre)																					
High Range	0	14.	32.2	52.5	72.1	91.7	112.0	131.6	151.2	169.4	189.7	209.3	228.9	248.5	268.8	288.4	308.0	327.6	347.9	367.5	387.1
Low Range	0	4.2	10.5	16.8	23.1	29.4	35.7	42.0	48.3	53.9	60.2	66.5	72.8	79.1	85.4	91.7	98.0	103.6	109.9	116.2	122.5
Fescue - Fine Blade, Turf Type (Pounds per 1000 Square Feet)																					
High Range	0.0	0.4	0.8	1.2	.7	2.1	2.6	3.0	3.5	.9	4.3	.8	5.3	5.7	6.25	6.7	7.1	7.6	8.0	8.5	8.9
Low Range	0.0	0.1	0.2	0.4	0.5	0.7	0.8	1.0	1.1	1.3	1.4	1.5	1.7	1.8	2.0	2.1	2.2	2.4	2.5	2.7	2.8
Fescue K-31(Pounds per Acre)																					
High Range	0.0	0.0	14.7	35.0	58.1	79.1	98.0	115.5	130.2	156.1	170.1	190.4	213.5	229.6	248.5	267.4	285.6	303.1	307.3	315.0	317.8
Low Range	0.0	0.0	4.2	10.5	18.2	24.5	30.8	35.7	40.6	48.3	53.2	58.8	66.5	71.4	77.0	82.6	88.9	93.8	95.2	98.0	98.7
Fescue K-31 (Pounds per 1000 Square Feet)																					
High Range	0.0	0.0	0.4	0.8	1.3	1.8	2.2	2.7	3.0	3.6	3.9	4.4	4.9	5.3	5.7	6.2	6.6	7.0	7.1	7.2	7.3
Low Range	0.0	0.0	0.1	0.3	0.4	0.6	0.7	0.6	0.9	1.1	1.2	1.3	1.5	1.6	1.8	1.9	2.0	2.2	2.2	2.2	2.2
Kentucky Blue Grass (Pounds per Acre)																					
High Range	0.0	16.1	33.6	51.1	72.1	87.5	108.5	124.6	143.5	158.9	175.0	191.8	205.1	225.4	233.8	255.5	270.9	284.2	298.2	309.4	318.5
Low Range	0.0	5.6	11.2	16.8	23.8	28.7	35.7	40.6	46.9	51.8	57.4	63.0	67.2	74.2	76.3	83.3	88.9	93.1	98.0	101.5	104.3
Kentucky Blue Grass (Pounds per 1000 Square Feet)																					
High Range	0.0	0.4	0.8	1.2	1.7	2.0	2.5	2.9	3.3	3.6	4.0	4.4	4.7	5.2	5.4	5.9	6.2	6.5	6.9	7.1	7.4
Low Range	0.0	0.1	0.3	0.4	0.6	0.6	0.8	0.9	1.1	1.2	1.3	1.5	1.5	1.7	1.8	1.9	2.0	2.2	2.2	2.3	2.4

Section 3: Seeding Adjustments

Cup Setting	0	5	10	15	20	25	30	35	40	45	50	55	60	65	70	75	80	85	90	95	100
Lovegrass - Sand (Pounds per Acre)																					
High Range	0.0	62.3	98.0	133.7	169.4	205.1	240.1	275.8	311.5	347.2	382.9	418.6	454.3	490.0	525.7	561.4	596.4	647.5	683.9	720.3	756.7
Low Range	0.0	19.6	30.8	42.7	53.9	65.1	76.3	87.5	98.7	109.9	121.1	132.3	144.2	155.4	166.6	177.8	189.0	200.2	211.4	223.3	234.5
Lovegrass - Sand (Pounds per 1000 Square Feet)																					
High Range	0.0	1.4	2.2	3.1	3.9	4.7	5.5	6.4	7.1	8.0	8.8	9.6	10.4	11.3	12.1	12.9	13.7	14.9	15.8	16.6	17.4
Low Range	0.0	0.4	0.7	1.0	1.3	1.5	1.8	2.0	2.2	2.5	2.8	3.1	3.3	3.6	3.9	4.1	4.3	4.6	4.8	5.1	5.4
Lovegrass - Weeping (Pounds per Acre)																					
High Range	0.0	76.3	123.2	158.2	200.9	240.1	277.2	313.6	350.7	387.1	424.2	460.6	497.7	534.1	571.2	607.6	644.7	681.1	718.2	754.6	793.1
Low Range	0.0	24.5	39.2	50.4	63.7	76.3	87.5	99.4	111.3	122.5	134.4	146.3	157.5	169.4	181.3	192.5	204.4	215.6	227.5	239.4	251.3
Lovegrass - Weeping (Pounds per 1000 Square Feet)																					
High Range	0.0	1.8	2.8	3.6	4.6	5.5	6.4	7.2	8.1	8.9	9.7	10.6	11.4	12.3	13.1	14.0	14.8	15.7	16.5	17.4	18.2
Low Range	0.0	0.6	0.9	1.1	1.5	1.8	2.0	2.3	2.5	2.8	3.1	3.4	3.6	3.9	4.1	4.4	4.7	5.0	5.3	5.5	5.7
Orchard Grass (Pounds per Acre)																					
High Range	0.0	0.0	0.0	0.0	0.0	0.0	0.0	0.0	0.0	0.0	0.0	0.0	0.0	0.0	0.0	0.0	0.0	0.0	0.0	0.0	0.0
Low Range	0.0	0.0	0.0	0.0	0.0	0.0	0.0	0.0	0.0	0.0	0.0	0.0	0.0	0.0	0.0	0.0	0.0	0.0	0.0	0.0	0.0
Orchard Grass (Pounds per 1000 Square Feet)																					
High Range	0.0	0.0	0.0	0.0	0.0	0.0	0.0	0.0	0.0	0.0	0.0	0.0	0.0	0.0	0.0	0.0	0.0	0.0	0.0	0.0	0.0
Low Range	0.0	0.0	0.0	0.0	0.0	0.0	0.0	0.0	0.0	0.0	0.0	0.0	0.0	0.0	0.0	0.0	0.0	0.0	0.0	0.0	0.0
Rye Grass - Annual (Pounds per Acre)																					
High Range	0.0	14.7	41.3	66.5	91.7	117.6	142.8	169.4	195.3	220.5	245.7	271.6	298.2	323.4	349.3	374.5	401.1	427.0	452.2	477.4	503.3
Low Range	0.0	4.9	13.3	21.0	29.4	37.1	45.5	53.9	61.6	70.0	77.7	86.1	94.5	102.9	110.6	119.0	127.4	135.1	143.5	151.2	159.6
Rye Grass - Annual (Pounds per 1000 Square Feet)																					
High Range	0.0	0.4	0.9	1.5	2.1	2.7	3.3	3.9	4.5	5.0	5.7	6.2	6.9	7.4	8.1	8.6	9.2	9.8	10.4	11.0	11.6
Low Range	0.0	0.1	0.3	0.5	0.7	0.8	1.1	1.3	1.4	1.6	1.8	2.0	2.2	2.4	2.5	2.7	2.9	3.1	3.3	3.5	3.6
Rye Grass - Perennial (Pounds per Acre)																					
High Range	0.0	25.2	53.9	80.5	109.2	137.2	163.8	192.5	220.5	247.1	275.8	303.8	332.5	359.1	387.1	415.8	442.4	470.4	499.1	525.7	553.7
Low Range	0.0	8.4	16.8	25.9	34.3	43.4	51.8	60.9	70.0	78.4	87.5	96.6	105.0	114.1	122.5	131.6	140.0	149.1	158.2	166.6	175.7
Rye Grass - Perennial (Pounds per 1000 Square Feet)																					
High Range	0.0	0.6	1.3	1.8	2.5	3.2	3.8	4.3	5.0	5.7	6.3	7.0	7.6	8.3	8.9	9.5	10.2	10.9	11.5	12.1	12.7
Low Range	0.0	0.2	0.4	0.6	0.8	1.0	1.2	1.4	1.6	1.8	2.0	2.2	2.5	2.6	2.8	3.0	3.2	3.4	3.6	3.9	4.1
Sudan Grass (Pounds per Acre)																					
High Range	0.0	0.0	0.0	0.0	0.0	0.0	0.0	0.0	0.0	0.0	0.0	0.0	0.0	0.0	0.0	0.0	0.0	0.0	0.0	0.0	0.0
Low Range	0.0	0.0	0.0	0.0	0.0	0.0	0.0	0.0	0.0	0.0	0.0	0.0	0.0	0.0	0.0	0.0	0.0	0.0	0.0	0.0	0.0
Sudan Grass (Pounds per 1000 Square Feet)																					
High Range	0.0	0.0	0.0	0.0	0.0	0.0	0.0	0.0	0.0	0.0	0.0	0.0	0.0	0.0	0.0	0.0	0.0	0.0	0.0	0.0	0.0
Low Range	0.0	0.0	0.0	0.0	0.0	0.0	0.0	0.0	0.0	0.0	0.0	0.0	0.0	0.0	0.0	0.0	0.0	0.0	0.0	0.0	0.0
Vetch (Pounds per Acre)																					
High Range	0.0	54.6	94.5	133.7	171.5	211.4	250.6	290.5	329.7	367.5	407.4	446.6	486.5	524.3	563.5	603.4	642.6	681.1	720.3	762.3	799.4
Low Range	0.0	14.7	26.6	39.2	51.1	63.0	75.6	87.5	99.4	111.3	123.9	135.8	147.7	159.6	172.2	184.1	196.0	208.6	220.5	233.1	245.0
Vetch (Pounds per 1000 Square Feet)																					
High Range	0.0	1.3	2.2	3.1	3.9	4.8	5.7	6.7	7.6	8.5	9.4	10.3	11.2	12.0	13.0	13.9	14.8	15.7	16.6	17.6	18.3
Low Range	0.0	0.4	0.6	0.9	1.2	1.5	1.8	2.0	2.3	2.6	2.9	3.2	3.4	3.6	3.9	4.2	4.5	4.8	5.0	5.3	5.6
Wheatgrass - Crested (Pounds per Acre)																					
High Range	0.0	15.4	25.2	35.7	46.9	56.7	66.5	77.7	87.5	97.3	107.1	119.0	128.8	138.6	149.8	159.6	169.4	180.6	191.1	200.9	210.7
Low Range	0.0	4.9	8.4	11.2	14.7	18.2	21.0	24.5	28.0	30.8	34.3	37.8	40.6	44.1	47.6	50.4	53.9	57.4	60.2	63.7	66.5
Wheatgrass - Crested (Pounds per 1000 Square Feet)																					
High Range	0.0	0.4	0.6	0.8	1.1	1.3	1.5	1.8	2.0	2.2	2.5	2.7	2.9	3.2	3.4	3.6	3.9	4.1	4.4	4.6	4.8
Low Range	0.0	0.1	0.2	0.3	0.4	0.4	0.5	0.6	0.6	0.7	0.8	0.8	0.9	1.0	1.1	1.2	1.3	1.3	1.4	1.5	1.5
Wheatgrass - Western (Pounds per Acre)																					
High Range	0.0	4.9	16.8	28.7	40.6	53.2	65.1	77.0	88.9	100.8	112.7	125.3	137.2	149.1	161.0	172.9	185.5	197.4	209.3	221.2	233.1
Low Range	0.0	1.4	5.6	9.1	13.3	16.8	20.3	24.5	28.0	32.2	35.7	39.9	43.4	46.9	51.1	54.6	58.8	62.3	66.5	70.0	74.2
Wheatgrass - Western (Pounds per 1000 Square Feet)																					
High Range	0.0	0.1	0.4	0.6	0.9	1.2	1.5	1.8	2.0	2.3	2.6	2.9	3.2	3.4	3.7	4.0	4.3	4.6	4.8	5.1	5.4
Low Range	0.0	0.0	0.1	0.2	0.3	0.4	0.5	0.6	0.6	0.7	0.8	0.9	1.0	1.1	1.2	1.3	1.3	1.5	1.5	1.6	1.7

Section 3: Seeding Adjustments

PS1548 Seed Rate Charts (Metric) (Kilograms per 1000 square meter and Kilograms per hectare)

Cup Setting	0	5	10	15	20	25	30	35	40	45	50	55	60	65	70	75	80	85	90	95	100
Alfalfa (Kilograms per Hectare)																					
High Range	0.0	42.3	97.9	155.1	210.7	267.1	322.7	379.8	434.7	490.3	547.4	602.3	659.4	715.0	771.4	827.0	884.2	939.0	994.6	1051.8	1106.6
Low Range	0.0	13.3	31.3	49.3	66.6	84.6	102.6	120.6	137.8	155.1	173.1	191.1	209.1	226.3	244.3	262.4	280.4	297.6	314.8	332.8	350.9
Alfalfa (Kilograms per 1000 Square Meters)																					
High Range	0.0	4.1	9.9	15.4	21.2	26.7	31.4	37.9	43.7	49.2	55.0	60.5	66.3	71.8	77.2	83.1	88.5	94.3	99.8	105.6	111.1
Low Range	0.0	1.4	3.1	4.8	6.8	8.5	10.3	12.0	13.7	15.7	17.4	19.1	20.8	22.6	24.6	26.3	28.0	29.7	31.4	33.5	35.2
Bent Grass (Kilograms per Hectare)																					
High Range	0.0	29.0	62.7	90.1	119.0	144.9	161.3	187.2	207.5	229.5	255.3	280.4	297.6	323.4	343.8	365.7	390.8	413.5	433.9	458.9	484.8
Low Range	0.0	13.3	22.7	32.9	42.3	51.7	60.3	69.7	77.5	86.1	95.5	102.6	109.6	116.7	124.5	131.6	137.1	144.1	149.6	155.1	160.5
Bent Grass (Kilograms per 1000 Square Meters)																					
High Range	0.0	2.7	6.2	8.9	12.0	14.4	16.1	18.8	20.8	22.9	25.6	28.0	29.7	32.5	34.5	39.3	41.4	43.4	43.4	46.1	48.5
Low Range	0.0	1.4	2.4	3.4	4.1	5.1	6.2	6.8	7.9	8.5	9.6	10.3	10.9	11.6	12.3	13.3	13.7	14.4	15.0	15.4	16.1
Bermuda - Hulled(Kilograms per Hectare)																					
High Range	0.0	47.8	79.1	126.1	161.3	195.8	231.0	267.1	302.3	336.8	372.0	408.0	442.5	477.7	512.2	549.0	583.5	617.9	653.2	689.2	724.4
Low Range	0.0	14.9	25.1	39.9	50.9	61.9	72.8	84.6	95.5	106.5	117.5	129.2	140.2	151.2	162.1	173.9	184.8	195.8	206.8	218.5	229.5
Bermuda - Hulled(Kilograms per 1000 Square Meters)																					
High Range	0.0	4.8	7.9	12.6	16.1	19.8	23.2	26.7	30.4	33.8	37.3	41.0	44.4	47.9	51.3	55.0	58.4	61.9	65.6	69.0	72.8
Low Range	0.0	1.4	2.4	4.1	5.1	6.2	7.2	8.5	9.6	10.6	13.0	13.0	14.0	15.0	16.4	17.4	18.5	19.5	20.8	21.9	22.9
Buffalo Grass - Sharps Improved (Kilograms per Hectare)																					
High Range	0.0	0.0	0.0	17.2	40.7	59.5	83.0	101.8	124.5	144.9	166.8	188.7	202.8	229.5	251.4	275.7	290.7	309.3	326.62 6.6	336.8	339.9
Low Range	0.0	0.0	0.0	10.2	16.4	22.7	29.8	36.0	43.9	50.9	57.2	65.0	72.1	77.5	85.4	92.4	99.5	104.9	112.0	115.1	117.5
Buffalo Grass - Sharps Improved (Kilograms per 1000 Square Meters)																					
High Range	0.0	0.0	0.0	1.7	4.1	5.8	8.2	10.3	12.3	14.4	16.7	18.8	21.2	22.9	25.3	27.7	29.1	31.1	32.8	33.8	34.2
Low Range	0.0	0.0	0.0	1.0	1.7	2.4	3.1	3.8	4.4	5.1	5.8	6.5	7.2	7.9	8.5	9.2	9.9	10.6	11.3	11.6	12.0
Clover - Red (Kilograms per Hectare)																					
High Range	0.0	60.3	112.0	158.2	206.0	251.4	297.6	343.0	390.8	436.2	482.4	529.4	574.8	621.0	667.3	715.0	760.5	806.7	853.6	899.9	945.3
Low Range	0.0	18.8	35.2	50.1	65.0	79.9	94.0	108.9	123.7	138.6	152.7	167.6	182.5	196.6	211.5	226.3	241.2	255.3	271.0	285.1	300.0
Clover - Red (Kilograms per 1000 Square Meters)																					
High Range	0.0	6.2	11.3	15.7	20.5	25.3	29.7	34.5	39.3	43.7	48.5	53.0	57.8	62.2	67.0	71.8	76.2	81.0	85.8	90.2	95.0
Low Range	0.0	2.1	3.4	5.1	6.5	7.9	9.6	10.9	12.3	14.0	15.4	16.7	18.5	19.8	21.2	22.6	24.3	25.6	27.0	28.7	30.0
Clover - White (Kilograms per Hectare)																					
High Range	0.0	60.3	118.3	175.4	232.6	291.3	347.7	404.9	463.6	520.0	577.2	635.9	692.3	749.5	808.2	864.6	921.8	980.5	1036.9	1094.1	1152.8
Low Range	0.0	18.8	37.6	55.6	73.6	92.4	110.4	128.4	146.5	165.2	183.3	201.3	219.3	237.3	256.1	274.1	292.1	310.9	328.9	346.9	365.0
Clover - White (Kilograms per 1000 Square Meters)																					
High Range	0.0	6.2	12.0	17.8	23.2	29.1	34.9	40.7	46.5	52.3	57.8	63.9	69.4	75.2	81.0	86.8	92.6	98.4	103.9	109.7	115.5
Low Range	0.0	2.1	3.8	5.5	7.5	9.2	10.9	13.0	14.7	16.4	18.5	20.2	21.9	23.9	25.6	27.3	29.4	31.1	32.8	34.9	36.6
Fescue - Fine Blade, Turf Type (Kilograms per Hectare)																					
High Range	0.0	15.7	36.0	58.7	80.7	102.6	125.3	147.2	169.2	189.5	212.2	234.2	256.1	278.0	300.7	322.7	344.6	366.5	389.2	411.2	433.1
Low Range	0.0	4.7	11.7	18.8	25.8	32.9	39.9	47.0	54.0	60.3	67.4	74.4	81.4	88.5	95.5	102.6	109.6	115.9	123.0	130.0	137.1
Fescue - Fine Blade, Turf Type (Kilograms per 1000 Square Meters)																					
High Range	0.0	1.7	3.8	5.8	8.2	10.3	12.6	14.7	17.1	19.1	21.2	23.6	25.6	28.0	30.1	32.5	34.5	36.9	39.0	41.4	43.4
Low Range	0.0	0.3	1.0	1.7	2.4	3.4	4.1	4.8	5.5	6.2	6.8	7.5	8.2	8.9	9.6	10.3	10.9	11.6	12.3	13.0	13.7
Fescue K-31(Kilograms per Hectare)																					
High Range	0.0	0	16.4	39.2	65.0	88.5	109.6	129.2	145.7	174.6	190.3	213.0	238.9	256.9	278.0	299.2	319.5	339.1	343.8	352.4	355.6
Low Range	0.0	0.0	4.7	11.7	20.4	27.4	34.5	39.9	45.4	54.0	59.5	65.8	74.4	79.9	86.1	92.4	99.5	104.9	106.5	109.6	110.4
Fescue K-31 (Kilograms per 1000 Square Meters)																					
High Range	0.0	0.0	1.7	3.8	6.5	8.9	10.9	13.0	14.7	17.4	19.1	21.5	23.9	25.6	28.0	30.1	32.1	34.2	34.5	35.2	35.5
Low Range	0.0	0.0	0.3	1.4	2.1	2.7	3.4	4.1	4.4	5.5	5.8	6.5	7.5	7.9	8.5	9.2	9.9	10.6	10.6	10.9	10.9
Kentucky Blue Grass (Kilograms per Hectare)																					
High Range	0.0	18.0	37.6	57.2	80.7	97.9	121.4	139.4	160.5	177.8	195.8	214.6	229.5	252.2	261.6	285.9	303.1	318.0	333.6	346.2	356.3
Low Range	0.0	6.3	12.5	18.8	26.6	32.1	39.9	45.4	52.5	58.0	64.2	70.5	75.2	83.0	85.4	93.2	99.5	104.2	109.6	113.6	116.7
Kentucky Blue Grass (Kilograms per 1000 Square Meters)																					
High Range	0.0	1.7	3.8	5.8	8.2	9.9	12.3	14.0	16.1	17.8	19.5	21.5	22.9	25.3	26.3	28.7	30.4	31.8	33.5	34.5	35.9
Low Range	0.0	0.7	1.4	1.7	2.7	3.1	4.1	4.4	5.1	5.8	6.5	7.2	7.5	8.2	8.5	9.2	9.9	10.6	10.9	11.3	11.6

Section 3: Seeding Adjustments

Cup Setting	0	5	10	15	20	25	30	35	40	45	50	55	60	65	70	75	80	85	90	95	100
Lovegrass - Sand (Kilograms per Hectare)																					
High Range	0.0	69.7	109.6	149.6	189.5	229.5	268.6	308.6	348.5	388.4	428.4	468.3	508.3	548.2	588.2	628.1	677.3	724.4	765.2	805.9	846.6
Low Range	0.0	21.9	34.5	47.8	60.3	72.8	85.4	97.9	110.4	123.0	135.5	148.0	161.3	173.9	186.4	198.9	211.5	224.0	236.5	249.8	262.4
Lovegrass - Sand (Kilograms per 1000 Square Meters)																					
High Range	0.0	6.8	10.9	15.0	19.1	22.9	27.0	31.1	34.9	39.0	43.1	46.8	50.9	55.0	59.1	62.9	67.0	72.8	76.9	81.0	85.1
Low Range	0.0	2.1	3.4	4.8	6.2	7.2	8.5	9.9	10.9	12.3	13.7	15.0	16.1	17.4	18.8	19.8	21.2	22.6	23.6	25.0	26.3
Lovegrass - Weeping (Kilograms per Hectare)																					
High Range	0.0	85.4	137.8	177.0	224.8	268.6	310.1	350.9	392.4	433.1	474.6	515.3	556.8	597.6	639.1	679.8	721.3	762.0	803.5	844.3	887.3
Low Range	0.0	27.4	43.9	56.4	71.3	85.4	97.9	111.2	124.5	137.1	150.4	163.7	176.2	189.5	202.8	215.4	228.7	241.2	254.5	267.8	281.2
Lovegrass - Weeping (Kilograms per 1000 Square Meters)																					
High Range	0.0	8.5	13.7	17.8	22.6	27.0	31.1	35.2	39.3	43.4	47.5	51.6	55.7	59.8	63.9	68.4	72.5	76.6	80.7	84.8	88.9
Low Range	0.0	2.7	4.4	5.5	7.2	8.5	9.9	11.3	12.3	13.7	15.0	16.4	17.8	19.1	20.2	21.5	22.9	24.3	25.6	26.7	28.0
Orchard Grass (Kilograms per Hectare)																					
High Range	0.0	0.0	0.0	0.0	0.0	0.0	0.0	0.0	0.0	0.0	0.0	0.0	0.0	0.0	0.0	0.0	0.0	0.0	0.0	0.0	0.0
Low Range	0.0	0.0	0.0	0.0	0.0	0.0	0.0	0.0	0.0	0.0	0.0	0.0	0.0	0.0	0.0	0.0	0.0	0.0	0.0	0.0	0.0
Orchard Grass (Kilograms per 1000 Square Meters)																					
High Range	0.0	0.0	0.0	0.0	0.0	0.0	0.0	0.0	0.0	0.0	0.0	0.0	0.0	0.0	0.0	0.0	0.0	0.0	0.0	0.0	0.0
Low Range	0.0	0.0	0.0	0.0	0.0	0.0	0.0	0.0	0.0	0.0	0.0	0.0	0.0	0.0	0.0	0.0	0.0	0.0	0.0	0.0	0.0
Rye Grass - Annual (Kilograms per Hectare)																					
High Range	0.0	16.4	46.2	74.4	102.6	131.6	159.8	189.5	218.5	246.7	274.9	303.9	333.6	361.8	390.8	419.0	448.8	477.7	505.9	534.1	563.1
Low Range	0.0	5.5	14.9	23.5	32.9	41.5	50.9	60.3	68.9	78.3	86.9	96.3	105.7	115.1	123.7	133.1	142.5	151.2	160.5	169.2	178.6
Rye Grass - Annual (Kilograms per 1000 Square Meters)																					
High Range	0.0	1.7	4.4	7.5	10.3	13.3	16.1	19.1	21.9	24.6	27.7	30.4	33.5	36.2	39.3	42.0	45.1	47.9	50.9	53.7	56.4
Low Range	0.0	0.7	1.4	2.4	3.4	4.1	5.1	6.2	6.8	7.9	8.9	9.6	10.6	11.6	12.3	13.3	14.4	15.0	16.1	17.1	17.8
Rye Grass - Perennial (Kilograms per Hectare)																					
High Range	0.0	28.2	60.3	90.1	122.2	153.5	183.3	215.4	246.7	276.5	308.6	339.9	372.0	401.8	433.1	465.2	495.0	526.3	558.4	588.2	619.5
Low Range	0.0	9.4	18.8	29.0	38.4	48.6	58.0	68.1	78.3	87.7	97.9	108.1	117.5	127.7	137.1	147.2	156.6	166.8	177.0	186.4	196.6
Rye Grass - Perennial (Kilograms per 1000 Square Meters)																					
High Range	0.0	2.7	6.2	8.9	12.3	15.4	18.5	21.2	24.6	27.7	30.8	34.2	37.3	40.3	43.4	46.5	49.6	53.0	56.1	59.1	62.2
Low Range	0.0	1.0	2.1	2.7	3.8	4.8	5.8	6.8	7.9	8.9	9.9	10.9	12.0	12.6	13.7	14.7	15.7	16.7	17.8	18.8	19.8
Sudan Grass (Kilograms per Hectare)																					
High Range	0.0	0.0	0.0	0.0	0.0	0.0	0.0	0.0	0.0	0.0	0.0	0.0	0.0	0.0	0.0	0.0	0.0	0.0	0.0	0.0	0.0
Low Range	0.0	0.0	0.0	0.0	0.0	0.0	0.0	0.0	0.0	0.0	0.0	0.0	0.0	0.0	0.0	0.0	0.0	0.0	0.0	0.0	0.0
Sudan Grass (Kilograms per 1000 Square Meters)																					
High Range	0.0	0.0	0.0	0.0	0.0	0.0	0.0	0.0	0.0	0.0	0.0	0.0	0.0	0.0	0.0	0.0	0.0	0.0	0.0	0.0	0.0
Low Range	0.0	0.0	0.0	0.0	0.0	0.0	0.0	0.0	0.0	0.0	0.0	0.0	0.0	0.0	0.0	0.0	0.0	0.0	0.0	0.0	0.0
Vetch (Kilograms per Hectare)																					
High Range	0.0	61.1	105.7	149.6	191.9	236.5	280.4	325.0	368.9	411.2	455.8	499.7	544.3	586.6	630.4	675.1	718.9	762.0	805.9	852.9	894.4
Low Range	0.0	16.4	29.8	43.9	57.2	70.5	84.6	97.9	111.2	124.5	138.6	151.9	165.2	178.6	192.7	206.0	219.3	233.4	246.7	260.8	274.1
Vetch (Kilograms per 1000 Square Meters)																					
High Range	0.0	6.2	10.6	15.0	19.1	23.6	28.0	32.5	36.9	41.4	45.8	50.2	54.7	58.8	63.2	67.7	72.1	76.6	81.0	85.8	89.5
Low Range	0.0	1.7	3.1	4.4	5.8	7.2	8.5	9.9	11.3	12.6	14.0	15.4	16.7	17.8	19.1	20.5	21.9	23.6	24.6	26.0	27.3
Wheatgrass - Crested (Kilograms per Hectare)																					
High Range	0.0	17.2	28.2	39.9	52.5	63.4	74.4	86.9	97.9	108.9	119.8	133.1	144.1	155.1	167.6	178.6	189.5	202.1	213.8	224.8	235.7
Low Range	0.0	5.5	9.4	12.5	16.4	20.4	23.5	27.4	31.3	34.5	38.4	42.3	45.4	49.3	53.3	56.4	60.3	64.2	67.4	71.3	74.4
Wheatgrass - Crested (Kilograms per 1000 Square Meters)																					
High Range	0.0	1.7	2.7	4.1	5.1	6.5	7.5	8.9	9.9	10.9	12.0	13.3	14.4	15.4	16.7	17.8	19.1	20.2	21.5	22.6	23.6
Low Range	0.0	0.7	1.0	1.4	1.7	2.1	2.4	2.7	3.1	3.4	3.8	4.1	4.4	4.8	5.5	5.8	6.2	6.5	6.8	7.2	7.5
Wheatgrass - Western (Kilograms per Hectare)																					
High Range	0.0	5.5	18.8	32.1	45.4	59.5	72.8	86.1	99.5	112.8	126.1	140.2	153.5	166.8	180.1	193.4	207.5	220.9	234.2	247.5	260.8
Low Range	0.0	1.6	6.3	10.2	14.9	18.8	22.7	27.4	31.3	36.0	39.9	44.6	48.6	52.5	57.2	61.1	65.8	69.7	74.4	78.3	83.0
Wheatgrass - Western (Kilograms per 1000 Square Meters)																					
High Range	0.0	0.7	1.7	3.1	4.4	5.8	7.2	8.5	9.9	11.3	12.6	14.0	15.4	16.7	18.1	19.5	20.8	22.2	23.6	25.0	26.3
Low Range	0.0	0.0	0.7	1.0	1.4	1.7	2.4	2.7	3.1	3.4	4.1	4.4	4.8	5.1	5.8	6.2	6.5	7.2	7.5	7.9	8.2

Section 3: Seeding Adjustments

PS1572 Seed Rate Charts

Cup Setting	0	5	10	15	20	25	30	35	40	45	50	55	60	65	70	75	80	85	90	95	100
Alfalfa (Pounds per Acre)																					
High Range	0	54	125	198	269	341	412	485	555	626	699	769	842	913	985	1056	1129	1199	1270	1343	1413
Low Range	0	17	40	63	85	108	131	154	176	198	221	244	267	289	312	335	358	380	402	425	448
Alfalfa (Pounds per 1000 Square Feet)																					
High Range	0.0	1.2	2.9	4.5	6.2	7.8	9.2	11.1	12.8	14.4	16.1	17.7	19.4	21	22.6	24.3	25.9	27.6	29.2	30.9	32.5
Low Range	0.0	0.4	0.9	1.4	2	2.5	3	3.5	4	4.6	5.1	5.6	6.1	6.6	7.2	7.7	8.2	8.7	9.2	9.8	10.3
Bent Grass (Pounds per Acre)																					
High Range	0	37	80	115	152	185	206	239	265	293	326	358	380	413	439	467	499	528	554	586	619
Low Range	0	17	29	42	54	66	77	89	99	110	122	131	140	149	159	168	175	184	191	198	205
Bent Grass (Pounds per 1000 Square Feet)																					
High Range	0.0	0.8	1.8	2.6	3.5	4.2	4.7	5.5	6.1	6.7	7.5	8.2	8.7	9.5	10.1	11.5	12.1	12.7	12.7	13.5	14.2
Low Range	0.0	0.4	0.7	1	1.2	1.5	1.8	2	2.3	2.5	2.8	3	3.2	3.4	3.6	3.9	4	4.2	4.4	4.5	4.7
Bermuda - Unhulled (Pounds per Acre)																					
High Range	0	61	101	161	206	250	295	341	386	430	475	521	565	610	654	701	745	789	834	880	925
Low Range	0	19	32	51	65	79	93	108	122	136	150	165	179	193	207	222	236	250	264	279	293
Bermuda - Unhulled (Pounds per 1000 Square Feet)																					
High Range	0.0	1.4	2.3	3.7	4.7	5.8	6.8	7.8	8.9	9.9	10.9	12	13	14	15	16.1	17.1	18.1	19.2	20.2	21.3
Low Range	0.0	0.4	0.7	1.2	1.5	1.8	2.1	2.5	2.8	3.1	3.8	3.8	4.1	4.4	4.8	5.1	5.4	5.7	6.1	6.4	6.7
Buffalo Grass Sharps Improved (Pounds per Acre)																					
High Range	0	0	0	22	52	76	106	130	159	185	213	241	259	293	321	352	371	395	417	430	434
Low Range	0	0	0	13	21	29	38	46	56	65	73	83	92	99	109	118	127	134	143	147	150
Buffalo Grass Sharps Improved (Pounds per 1000 Square Feet)																					
High Range	0.0	0	0	0.5	1.2	1.7	2.4	3	3.6	4.2	4.9	5.5	6.2	6.7	7.4	8.1	8.5	9.1	9.6	9.9	10
Low Range	0.0	0	0	0.30	0.5	0.7	0.9	1.1	1.3	1.5	1.7	1.9	2.1	2.3	2.5	2.7	2.9	3.1	3.3	3.4	3.5
Clover - Red (Pounds per Acre)																					
High Range	0	77	143	202	263	321	380	438	499	557	616	676	734	793	852	913	971	1030	190	1149	1207
Low Range	0	24	45	64	83	102	120	139	158	177	195	214	233	251	270	289	308	326	346	364	383
Clover - Red (Pounds per 1000 Square Feet)																					
High Range	0.0	1.8	3.3	4.6	6	7.4	8.7	1.1	11.5	12.8	14.2	15.5	16.9	18.2	19.6	21	22.3	23.7	25.1	26.4	27.8
Low Range	0.0	0.6	1	1.5	1.9	2.3	2.8	3.2	3.6	4.1	4.5	4.9	5.4	5.8	6.2	6.6	7.1	7.5	7.9	8.4	8.8
Clover - White (Pounds per Acre)																					
High Range	0	77	151	224	297	372	444	517	592	664	737	812	884	957	1032	1104	1177	1252	1324	1397	1472
Low Range	0	24	48	71	94	118	141	164	187	211	234	257	280	303	327	350	373	397	420	443	466
Clover - White (Pounds per 1000 Square Feet)																					
High Range	0.0	1.8	3.5	5.2	6.8	8.5	10.2	11.9	13.6	15.3	16.9	18.7	20.3	22	23.7	25.4	27.1	28.8	30.4	32.1	33.8
Low Range	0.0	0.6	1.1	1.6	2.2	2.7	3.2	3.8	4.3	4.8	5.4	5.9	6.4	7	7.5	8	8.6	9.1	9.6	10.2	10.7
Fescue - Fine Blade, Turf Type (Pounds per Acre)																					
High Range	0	20	46	75	103	131	160	188	216	242	271	299	327	355	384	412	440	468	497	525	553
Low Range	0	6	15	24	33	42	51	60	69	77	86	95	104	113	122	131	140	148	157	166	175
Fescue - Fine Blade, Turf Type (Pounds per 1000 Square Feet)																					
High Range	0.0	0.5	1.1	1.7	2.4	3	3.7	4.3	5	5.6	6.2	6.9	7.5	8.2	8.8	9.5	10.1	10.8	11.4	12.1	12.7
Low Range	0.0	0.1	0.3	0.5	0.7	1	1.2	1.4	1.6	1.8	2	2.2	2.4	2.6	2.8	3	3.2	3.4	3.6	3.8	4
Fescue K-31(Pounds per Acre)																					
High Range	0	0	21	50	83	113	140	165	186	223	243	272	305	328	355	382	48	433	439	450	454
Low Range	0	0	6	15	26	35	44	51	58	69	76	84	95	102	110	118	127	134	136	140	141
Fescue K-31 (Pounds per 1000 Square Feet)																					
High Range	0.0	0.0	0.5	1.1	1.9	2.6	3.2	3.8	4.3	5.1	5.6	6.3	7	7.5	8.2	8.8	9.4	10	10.1	10.3	10.4
Low Range	0.0	0.0	0.1	0.4	0.6	0.8	1	1.2	1.3	1.6	1.7	1.9	2.2	2.3	2.5	2.7	2.9	3.1	3.1	3.2	3.2
Kentucky Blue Grass (Pounds per Acre)																					
High Range	0	23	48	73	103	125	155	178	205	227	250	274	293	322	334	365	387	406	426	442	455
Low Range	0	8	16	24	34	41	51	58	67	74	82	90	96	106	109	119	127	133	140	145	149
Kentucky Blue Grass (Pounds per 1000 Square Feet)																					
High Range	0.0	0.5	1.1	1.7	2.4	2.9	3.6	4.1	4.7	5.2	5.7	6.3	6.7	7.4	7.7	8.4	8.9	9.3	9.8	10.1	10.5
Low Range	0.0	0.2	0.4	0.5	0.8	0.9	1.2	1.3	1.5	1.7	1.9	2.1	2.2	2.4	2.5	2.7	2.9	3.1	3.2	3.3	3.4

Section 3: Seeding Adjustments

Cup Setting	0	5	10	15	20	25	30	35	40	45	50	55	60	65	70	75	80	85	90	95	100
Lovegrass - Sand (Pounds per Acre)																					
High Range	0	89	140	191	242	293	343	394	445	496	547	598	649	700	751	802	852	925	977	1029	1081
Low Range	0	28	44	61	77	93	109	125	141	157	173	189	206	222	238	254	270	286	302	319	335
Lovegrass - Sand (Pounds per 1000 Square Feet)																					
High Range	0.0	2	3.2	4.4	5.6	6.7	7.9	9.1	10.2	11.4	12.6	13.7	14.9	16.1	17.3	18.4	19.6	21.3	22.5	23.7	24.9
Low Range	0.0	0.6	1	1.4	1.8	2.1	2.5	2.9	3.2	3.6	4	4.4	4.7	5.1	5.5	5.8	6.2	6.6	6.9	7.3	7.7
Lovegrass - Weeping (Pounds per Acre)																					
High Range	0	109	176	226	287	343	396	448	501	553	606	658	711	763	816	868	921	973	1026	1078	1133
Low Range	0	35	56	72	91	109	125	142	159	175	192	209	225	242	259	275	292	308	325	342	359
Lovegrass - Weeping (Pounds per 1000 Square Feet)																					
High Range	0.0	2.5	4	5.2	6.6	7.9	9.1	10.3	11.5	12.7	13.9	15.1	16.3	17.5	18.7	20	21.2	22.4	23.6	24.8	26
Low Range	0.0	0.8	1.3	1.6	2.1	2.5	2.9	3.3	3.6	4	4.4	4.8	5.2	5.6	5.9	6.3	6.7	7.1	7.5	7.8	8.2
Orchard Grass (Pounds per Acre)																					
High Range	0	4	6	10	15	20	27	34	41	49	58	66	75	85	94	103	112	121	130	138	146
Low Range	0	1	2	3	5	7	9	12	15	18	22	25	29	33	36	40	44	48	51	55	58
Orchard Grass (Pounds per 1000 Square Feet)																					
High Range	0.0	0.1	0.1	0.2	0.3	0.5	0.6	0.8	0.9	1.1	1.3	1.5	1.7	1.9	2.2	2.4	2.6	2.8	3.0	3.2	3.3
Low Range	0.0	0.0	0.0	0.1	0.1	0.2	0.2	0.3	0.3	0.4	0.5	0.6	0.7	0.7	0.8	0.9	1.0	1.1	1.2	1.3	1.3
Rye Grass - Annual (Pounds per Acre)																					
High Range	0	21	59	95	131	168	204	242	279	315	351	388	426	462	499	535	573	610	646	682	719
Low Range	0	7	19	30	42	53	65	77	88	100	111	123	135	147	158	170	182	193	205	216	228
Rye Grass - Annual (Pounds per 1000 Square Feet)																					
High Range	0.0	0.5	1.3	2.2	3	3.9	4.7	5.6	6.4	7.2	8.1	8.9	9.8	10.6	11.5	12.3	13.2	14	14.9	15.7	16.5
Low Range	0.0	0.2	0.4	0.7	1	1.2	1.5	1.8	2	2.3	2.6	2.8	3.1	3.4	3.6	3.9	4.2	4.4	4.7	5	5.2
Rye Grass - Perennial (Pounds per Acre)																					
High Range	0	36	77	115	156	196	234	275	315	353	394	434	475	513	553	594	632	672	713	751	791
Low Range	0	12	24	37	49	62	74	87	100	112	125	138	150	163	175	188	200	213	226	238	251
Rye Grass - Perennial (Pounds per 1000 Square Feet)																					
High Range	0.0	0.8	1.8	2.6	3.6	4.5	5.4	6.2	7.2	8.1	9	10	10.9	11.8	12.7	13.6	14.5	15.5	16.4	17.3	18.2
Low Range	0.0	0.3	0.6	0.8	1.1	1.4	1.7	2	2.3	2.6	2.9	3.2	3.5	3.7	4	4.3	4.6	4.9	5.2	5.5	5.8
Sudan Grass (Pounds per Acre)																					
High Range	0	35	68	103	141	179	220	262	306	352	398	446	495	545	596	648	701	754	808	862	916
Low Range	0	18	28	41	55	71	89	107	127	147	168	189	210	231	252	271	290	308	325	339	352
Sudan Grass (Pounds per 1000 Square Feet)																					
High Range	0.0	0.8	1.6	2.4	3.2	4.1	5.1	6.0	7.0	8.1	9.1	10.2	11.4	12.5	13.7	14.9	16.1	17.3	18.5	19.8	21.0
Low Range	0.0	0.4	0.6	0.9	1.3	1.6	2.0	2.5	2.9	3.4	3.9	4.3	4.8	5.3	5.8	6.2	6.7	7.1	7.5	7.8	8.1
Vetch (Pounds per Acre)																					
High Range	0	78	135	191	245	302	358	415	471	525	582	638	695	749	805	862	918	973	1029	1089	1142
Low Range	0	21	38	56	73	90	108	125	142	159	177	194	211	228	246	263	280	298	315	333	350
Vetch (Pounds per 1000 Square Feet)																					
High Range	0.0	1.8	3.1	4.4	5.6	6.9	8.2	9.5	10.8	12.1	13.4	14.7	16	17.2	18.5	19.8	21.1	22.4	23.7	25.1	26.2
Low Range	0.0	0.5	0.9	1.3	1.7	2.1	2.5	2.9	3.3	3.7	4.1	4.5	4.9	5.2	5.6	6	6.4	6.9	7.2	7.6	8
Wheatgrass - Crested (Pounds per Acre)																					
High Range	0	22	36	51	67	81	95	111	125	139	153	170	184	198	214	228	242	258	273	287	301
Low Range	0	7	12	16	21	26	30	35	40	44	49	54	58	63	68	72	77	82	86	91	95
Wheatgrass - Crested (Pounds per 1000 Square Feet)																					
High Range	0.0	0.5	0.8	1.2	1.5	1.9	2.2	2.6	2.9	3.2	3.5	3.9	4.2	4.5	4.9	5.2	5.6	5.9	6.3	6.6	6.9
Low Range	0.0	0.2	0.3	0.4	0.5	0.6	0.7	0.8	0.9	1	1.1	1.2	1.3	1.4	1.6	1.7	1.8	1.9	2	2.1	2.2
Wheatgrass - Western (Pounds per Acre)																					
High Range	0	7	24	41	58	76	93	110	127	144	161	179	196	213	230	247	265	282	299	316	333
Low Range	0	2	8	13	19	24	29	35	4	46	51	57	62	67	73	78	84	89	95	100	106
Wheatgrass - Western (Pounds per 1000 Square Feet)																					
High Range	0.0	0.2	0.5	0.9	1.3	1.7	2.1	2.5	2.9	3.3	3.7	4.1	4.5	4.9	5.3	5.7	6.1	6.5	6.9	7.3	7.7
Low Range	0.0	0	0.2	0.3	0.4	0.5	0.7	0.8	0.9	1	1.2	1.3	1.4	1.5	1.7	1.8	1.9	2.1	2.2	2.3	2.4

Section 3: Seeding Adjustments

PS1572 Seed Rate Charts (Metric)

Cup Setting	0	5	10	15	20	25	30	35	40	45	50	55	60	65	70	75	80	85	90	95	100
Alfalfa (Kilograms per Hectare)																					
High Range	0	60	140	222	301	382	461	543	621	700	782	860	942	1021	1102	1181	1263	1341	1421	1503	1581
Low Range	0	19	45	70	95	121	147	172	197	222	247	273	299	323	349	375	41	425	450	475	501
Alfalfa (Kilograms per 1000 Square Meters)																					
High Range	0	6	14	22	30	38	45	54	62	70	79	86	95	103	110	119	126	135	143	151	159
Low Range	0	2	4	7	10	12	15	17	20	22	25	27	30	32	35	38	40	42	45	48	50
Bent Grass (Kilograms per Hectare)																					
High Range	0	41	90	129	170	207	230	267	296	328	365	401	425	462	491	522	558	591	620	656	693
Low Range	0	19	32	47	60	74	86	100	111	123	136	147	157	167	178	188	196	206	214	222	229
Bent Grass (Kilograms per 1000 Square Meters)																					
High Range	0	4	9	13	17	21	23	27	30	33	37	40	42	46	49	56	59	62	62	66	69
Low Range	0	2	3	5	6	7	9	10	11	12	14	15	16	17	18	19	20	21	21	22	23
Bermuda (Kilograms per Hectare)																					
High Range	0	68	113	180	230	280	330	382	432	481	531	583	632	682	732	784	834	883	933	985	1035
Low Range	0	21	36	57	73	88	104	121	136	152	168	185	200	216	232	248	264	280	295	312	328
Bermuda (Kilograms per 1000 Square Meters)																					
High Range	0	7	11	18	23	28	33	38	43	48	53	59	63	68	73	79	83	88	94	99	104
Low Range	0	2	3	6	7	9	10	12	14	15	19	19	20	21	23	25	26	28	30	31	33
Buffalo Grass (Kilograms per Hectare)																					
High Range	0	0	0	25	58	85	119	145	178	207	238	270	290	328	359	394	415	442	467	481	486
Low Range	0	0	0	15	23	32	43	51	63	73	82	93	103	111	122	132	142	150	160	164	168
Buffalo Grass (Kilograms per 1000 Square Meters)																					
High Range	0	0	0	2	6	8	12	15	18	21	24	27	30	33	36	40	42	44	47	48	49
Low Range	0	0	0	1	2	3	4	5	6	7	8	9	10	11	12	13	14	15	16	17	17
Clover - Red (Kilograms per Hectare)																					
High Range	0	86	160	226	294	359	425	490	558	623	689	756	821	887	953	1021	1086	1152	1219	1286	1350
Low Range	0	27	50	72	93	114	134	156	177	198	218	239	261	281	302	323	345	365	387	407	429
Clover - Red (Kilograms per 1000 Square Meters)																					
High Range	0	9	16	22	29	36	42	49	56	62	69	76	83	89	96	103	109	116	123	129	136
Low Range	0	3	5	7	9	11	14	16	18	20	22	24	26	28	30	32	35	37	39	41	43
Clover - White (Kilograms per Hectare)																					
High Range	0	86	169	251	332	416	497	578	662	743	825	908	989	1071	1155	1235	1317	1401	1481	1563	1647
Low Range	0	27	54	79	105	132	158	183	209	236	262	288	313	339	366	392	417	444	470	496	521
Clover - White (Kilograms per 1000 Square Meters)																					
High Range	0	9	17	25	33	42	50	58	66	75	83	91	99	107	116	124	132	141	148	157	165
Low Range	0	3	5	8	11	13	16	19	21	23	26	29	31	34	37	39	42	44	47	50	52
Fescue - Fine Blade, Turf Type (Kilograms per Hectare)																					
High Range	0	22	51	84	115	147	179	210	242	271	303	335	366	397	430	461	492	524	556	587	619
Low Range	0	7	17	27	37	47	57	67	77	86	96	106	116	126	136	147	157	166	176	186	196
Fescue - Fine Blade, Turf Type (Kilograms per 1000 Square Meters)																					
High Range	0	2	5	8	12	15	18	21	24	27	30	34	37	40	43	46	49	53	56	59	62
Low Range	0	0	1	2	3	5	6	7	8	9	10	11	12	13	14	15	16	17	18	19	20
Fescue K-31(Kilograms per Hectare)																					
High Range	0	0	23	56	93	126	157	185	208	249	272	304	341	367	397	427	456	484	491	503	508
Low Range	0	0	7	17	29	39	49	57	65	77	85	94	106	114	123	132	142	150	152	157	158
Fescue K-31 (Kilograms per 1000 Square Meters)																					
High Range	0	0	2	5	9	13	16	19	21	25	27	31	34	37	40	43	46	49	49	50	51
Low Range	0	0	0	5	3	4	5	6	6	8	8	9	11	11	12	13	14	15	15	16	16
Kentucky Blue Grass (Kilograms per Hectare)																					
High Range	0	26	54	82	115	140	173	199	229	254	280	307	328	360	374	408	433	454	477	495	509
Low Range	0	9	18	27	38	46	57	65	75	83	92	101	107	119	122	133	142	149	157	162	167
Kentucky Blue Grass (Kilograms per 1000 Square Meters)																					
High Range	0	2	5	8	12	14	18	20	23	25	28	31	33	36	38	41	43	45	48	49	51
Low Range	0	1	2	2	4	4	6	6	7	8	9	10	11	12	12	13	14	15	16	16	17

Section 3: Seeding Adjustments

Cup Setting	0	5	10	15	20	25	30	35	40	45	50	55	60	65	70	75	80	85	90	95	100
Lovegrass - Sand (Kilograms per Hectare)																					
High Range	0	100	157	214	271	328	384	441	498	555	612	669	726	783	840	897	953	1035	1093	151	1209
Low Range	0	31	49	68	86	104	122	140	158	176	194	211	230	248	266	284	302	320	338	357	375
Lovegrass - Sand (Kilograms per 1000 Square Meters)																					
High Range	0	10	16	21	27	33	39	44	50	56	62	67	73	79	84	90	96	104	110	116	122
Low Range	0	3	5	7	9	10	12	14	16	18	20	21	23	25	27	28	30	32	34	36	38
Lovegrass - Weeping (Kilograms per Hectare)																					
High Range	0	122	197	253	321	384	443	501	561	619	678	736	795	854	913	971	1030	1089	1148	1206	1268
Low Range	0	39	63	81	102	122	140	159	178	196	215	234	252	271	290	308	327	345	364	383	402
Lovegrass - Weeping (Kilograms per 1000 Square Meters)																					
High Range	0	12	20	25	32	39	44	50	56	62	68	74	80	85	91	98	104	109	15	121	127
Low Range	0	4	6	8	10	12	14	16	18	20	21	23	25	27	29	31	33	35	37	38	40
Orchard Grass (Kilograms per Hectare)																					
High Range	0	4	7	11	17	23	30	38	46	55	65	74	84	95	105	115	126	136	145	155	164
Low Range	0	1	2	4	5	8	10	14	17	20	24	28	32	37	41	45	49	53	57	61	65
Orchard Grass (Kilograms per 1000 Square Meters)																					
High Range	0	0	1	1	2	3	4	5	6	6	7	8	9	11	12	13	14	15	15	16	16
Low Range	0	0	0	0	1	1	1	1	2	2	3	3	4	4	5	5	5	6	6	6	6
Rye Grass - Annual (Kilograms per Hectare)																					
High Range	0	23	66	106	147	188	228	271	312	352	393	434	477	517	558	599	641	682	723	763	804
Low Range	0	8	21	34	47	59	73	86	98	112	124	138	151	164	177	190	204	216	229	242	255
Rye Grass - Annual (Kilograms per 1000 Square Meters)																					
High Range	0	2	6	11	15	19	23	27	31	35	40	43	48	52	56	60	64	68	73	77	81
Low Range	0	1	2	3	5	6	7	9	10	11	13	14	15	17	18	19	21	21	23	24	25
Rye Grass - Perennial (Kilograms per Hectare)																					
High Range	0	40	86	129	175	219	262	308	352	395	441	486	531	574	619	665	707	752	798	840	885
Low Range	0	13	27	41	55	69	83	97	112	125	140	154	168	182	196	210	224	238	253	266	281
Rye Grass - Perennial (Kilograms per 1000 Square Meters)																					
High Range	0	4	9	13	18	22	26	30	35	40	44	49	53	58	62	66	71	76	80	84	89
Low Range	0	1	3	4	5	7	8	10	11	13	14	16	17	18	20	21	22	24	25	27	28
Sudan Grass (Kilograms per Hectare)																					
High Range	0	39	77	116	157	201	247	294	343	394	446	500	555	611	668	726	785	845	905	966	1027
Low Range	0	20	32	46	62	80	99	120	142	165	188	212	236	259	282	304	325	345	364	380	395
Sudan Grass (Kilograms per 1000 Square Meters)																					
High Range	0	4	8	12	16	20	25	29	34	39	45	50	56	61	67	73	79	84	91	97	103
Low Range	0	2	3	5	6	8	10	12	14	16	19	21	24	26	28	30	33	35	36	38	39
Vetch (Kilograms per Hectare)																					
High Range	0	87	151	214	274	338	401	464	527	587	651	714	778	838	901	964	1027	1089	1151	1218	1278
Low Range	0	23	43	63	82	101	121	140	159	178	198	217	236	255	275	294	313	333	352	373	392
Vetch (Kilograms per 1000 Square Meters)																					
High Range	0	9	15	21	27	34	40	46	53	59	65	72	78	84	90	97	103	109	116	123	128
Low Range	0	2	4	6	8	10	12	14	16	18	20	22	24	25	27	29	31	34	35	37	39
Wheatgrass - Crested (Kilograms per Hectare)																					
High Range	0	25	40	57	75	91	106	124	140	156	171	190	206	222	239	255	271	289	305	321	337
Low Range	0	8	13	18	23	29	34	39	45	49	55	60	65	70	76	81	86	92	96	102	106
Wheatgrass - Crested (Kilograms per 1000 Square Meters)																					
High Range	0	2	4	6	7	9	11	13	14	16	17	19	21	22	24	25	27	29	31	32	34
Low Range	0	1	1	2	2	3	3	4	4	5	5	6	6	7	8	8	9	9	10	10	11
Wheatgrass - Western (Kilograms per Hectare)																					
High Range	0	8	27	46	65	85	104	123	142	161	180	200	219	238	257	276	296	316	335	354	373
Low Range	0	2	9	15	21	27	32	39	45	51	57	64	69	75	82	87	94	100	106	112	119
Wheatgrass - Western (Kilograms per 1000 Square Meters)																					
High Range	0	1	2	4	6	8	10	12	14	16	18	20	22	24	26	28	30	32	34	36	38
Low Range	0	0	1	1	2	2	3	4	4	5	6	6	7	7	8	9	9	10	11	11	12

Section 4: Maintenance & Lubrication

Maintenance

Proper servicing and adjustment is the key to the long life of any farm implement. With careful and systematic inspection, you can avoid costly maintenance, time and repair.

1. After using your seeder for several hours, check all bolts to be sure they are tight.
2. After transporting your seeder for several hours, check all bolts and nuts to be sure they are tight.

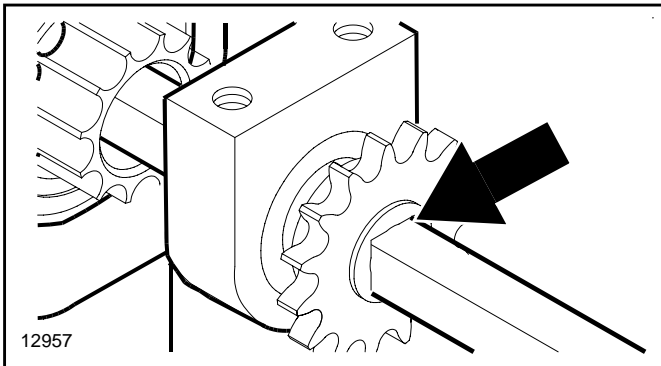
Storage

1. At the end of the working season or when your Primary Seeder will not be used for a long period, it is good practice to clean off any dirt or grease that may have accumulated on the seeder and any of the moving parts.
2. Be sure that the seed box is completely cleaned before storing.

3. The square bore of the seed cup drive sprocket hub should be oiled to prevent seizing. Squirt oil on to the square feed cup shaft and move seed cup adjustment lever back and forth in order to get the oil back into the square.
4. Lubricate all fittings as indicated.
5. When in storage, lower the seeder with rollers on a board or hard surface and adjust the parking stand or tongue jack.
6. Repaint parts where paint is worn or scratched to prevent rust.
7. Replace all damaged or missing decals.
8. Store the seeder inside if possible. Inside storage will reduce maintenance and make for a longer seeder life.
9. Inspect the Primary Seeder for loose, damaged or worn parts and adjust or replace if needed.

Lubrication

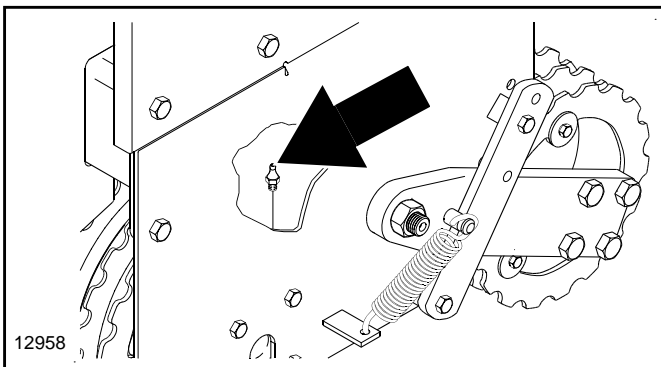
<p>Lubrication Legend</p>	Multi-purpose spray lube	Multi-purpose grease lube	Multi-purpose oil lube	50 Intervals at which lubrication is required
---------------------------	--------------------------	---------------------------	------------------------	---



	50
--	----

Feed Cup Drive Shaft

Type of Lubrication: Oil
Quantity = Generously

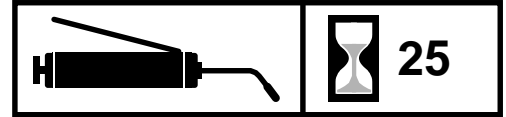
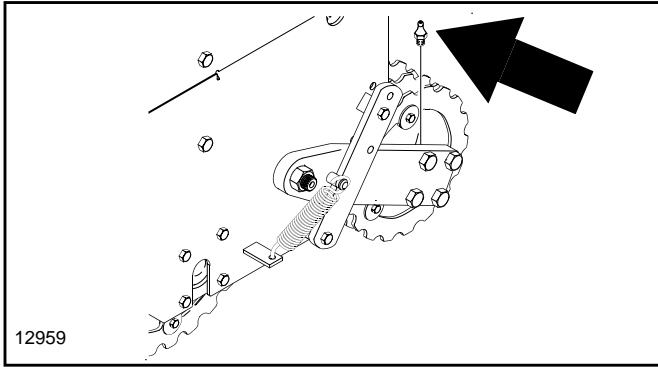


	25
--	----

Roller Bearings

Type of Lubrication: Multi-Purpose
Quantity = Coat Generously

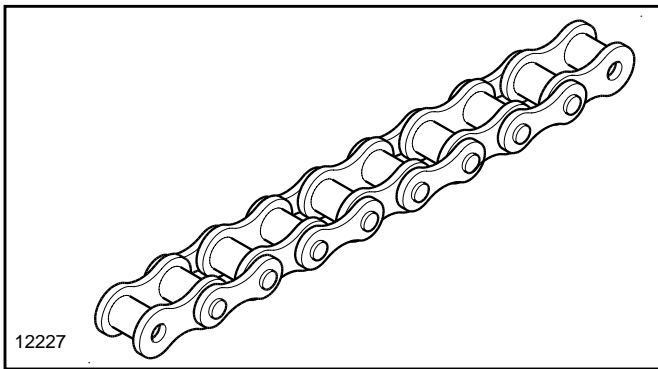
Section 4: Maintenance & Lubrication



Roller Bearings

Type of Lubrication: Multi-Purpose

Quantity = Coat Generously



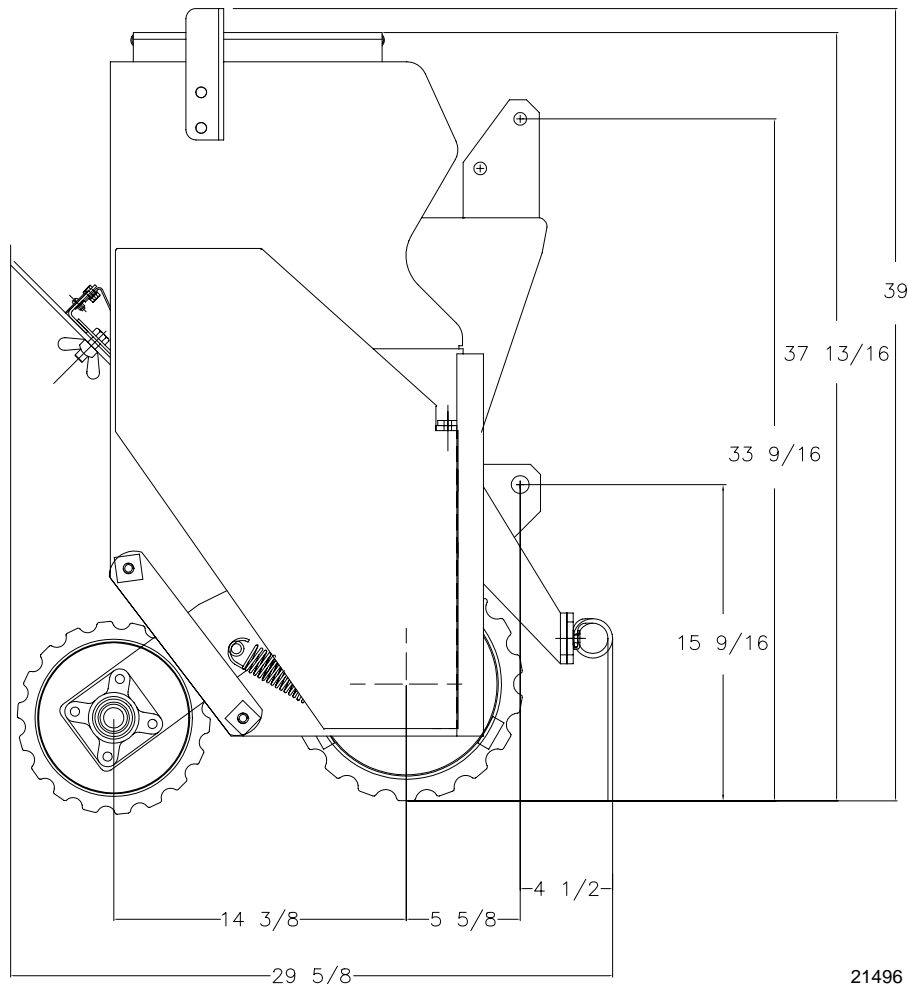
**Packer Wheel to Seed Cup Roller Chains
(3 chains)**

Type of Lubrication: Chain Lubricant

Quantity = Generously

Section 5: Specifications & Capacities

PS1548 & PS1572 Primary Seeders		
	PS1548	PS1572
Width	55"	72"
Seeding Width (Broadcast)	51"	70 1/2"
Weight (Approximate Pounds)	870#	1165#
Seed Capacity	1 Bushel/Foot (4 bushel)	1 Bushel/Foot (6 bushel)
Feeder Cup Drive (Roller Drive)	Chain Driven from right side of front roller with paddle type agitator above seed cups	Chain Driven from right side of front roller with paddle type agitator above seed cups
Track Removers	Double torsion spring height adjustable and replaceable One each	Double torsion spring height adjustable and replaceable Two each
Bed Forming Rollers - Front	12" OD notched, cast iron, 20 each with free floating mounting tube and 1 1/2" sealed greaseable bearings	12" OD notched, cast iron, 29 each with free floating mounting tube and 1 1/2" sealed greaseable bearings
Bed Forming Rollers - Rear	9 1/2" OD notched, cast iron, 21 each with free floating mounting tube and 1" greaseable bearing mounted on pivoting spring loaded arms	9 1/2" OD notched, cast iron, 28 each with free floating mounting tube and 1" greaseable bearing mounted on pivoting spring loaded arms
Hitch	Category I, Offset to right 8 5/8"	Category I



Specification Drawing
Figure 5-1

Section 6: Features and Benefits
PS1548 & PS1572 Primary Seeders

Features	Benefits
Cat. 1 Hitch	Fits Land Pride Quick-Hitch for easy one person hook-up to tractor.
Offset hitch (48" model)	Hitch is offset to cover right side tire track of tractor.
Seeding width	51" and 70 1/2" widths are the perfect size for the smaller landscape market. Sized for smaller areas such as between the curb and sidewalk or the new community park.
Approximate machine weight	(48" - 870 lbs.) (72" - 1165 lbs.) Heavy weight helps seed to soil contact.
Lift hooks	Lift hooks on each side of the seedbox to attach chain or strap to for easy loading and unloading.
Water tight Seedbox	Keeps moisture out of the seedbox.
Large seedbox capacity	One bushel per foot. Keeps filling to a minimum and increases productivity.
Easy seed box clean out	Seed flute is designed for easy clean out. Simply move the flute lever into the clean out position and all seeds will be removed.
Heavy-duty lids with stay open support	Lids are precision fit to keep seeds dry and rodents out and they won't buckle or slam shut in high winds.
Seed splash guard	Seedbox lid has a guard to prevent seed from being spilled between lid and box.
Grass seed cups	Grass seed model uses proven fluted seed cups for accurate seed rates. (PS1548: 7 fluted) (PS1572: 10 fluted)
Seed box agitator	Eliminates bridging of seed.
Powdered metal in fluted sprockets	Helps dissipate heat from the fluted area and plastic seed cup housing.
Wind guarded seed drop	Protects the seed from being blown away by windy conditions. Ensures constant placement of seed across the whole width of the machine.
Seed rate adjustment	Easy adjustment of seed rates. Lever position is located on seed rate chart.
Seed rate decal	Positioned on lid. Easy access to seed rate information.
High/Low seed settings	Easy adjustment on sprocket arrangement on seed cup drive. This allows for a very broad range of seed settings.
Ground driven metering	Packer wheels are in constant contact with the ground to ensure consistent metering of seed.
Cast iron packer wheels	12" diameter front rings and 9 1/2" diameter rear rings are used to crush the clods and pack the seed in to promote seed to soil contact.
Spring mounted rear packers	Rear packer wheels are spring loaded for additional down pressure, and to stay in contact with the ground.
Tire track removers	Coil spring tine track removers keep their shape; one on 48" model, two on 72" model allows tractor tire(s) to be scratched out. Additional track removers can be added.
#40 Roller chain	All drives utilize #40 roller chain for smooth running.
Spring loaded chain idler	Spring loaded idler keeps constant pressure on chain so seeding rate is consistent.









Problem	Solution
Uneven seed spacing or uneven stand.	Check for plugging in seed cup.
	Reduce ground speed.
	Check for trash or mud buildup on rollers.
Actual seeding rate is different than desired.	Seed treatment will affect seeding rate if the chemicals buildup in seed cup. Unless cleaned regularly, this buildup can cause breakage of the seed cup shaft.
Feed cup sprocket locked up or twisted feed cup drive shaft.	Check for foreign matter lodged in seed cup sprocket.
Rollers not turning freely.	Check for trash or mud buildup on roller end.



Section 8: Appendix

Torque Values Chart for Common Bolt Sizes

Bolt Size (Inches) in-tpi¹	Bolt Head Identification					
	 Grade 2		 Grade 5		 Grade 8	
	N ·	v-lb³	N · m	ft-lb	N · m	ft-lb
1/4" - 20	7.4	5.6	11	8	16	12
1/4" - 28	8.5	6	13	10	18	14
5/16" - 18	15	11	24	17	33	25
5/16" - 24	17	13	26	19	37	27
3/8" - 16	27	20	42	31	59	44
3/8" - 24	31	22	47	35	67	49
7/16" - 14	43	32	67	49	95	70
7/16" - 20	49	36	75	55	105	78
1/2" - 13	66	49	105	76	145	105
1/2" - 20	75	55	115	85	165	120
9/16" - 12	95	70	150	110	210	155
9/16" - 18	105	79	165	120	235	170
5/8" - 11	130	97	205	150	285	210
5/8" - 18	150	110	230	170	325	240
3/4" - 10	235	170	360	265	510	375
3/4" - 16	260	190	405	295	570	420
7/8" - 9	225	165	585	430	820	605
7/8" - 14	250	185	640	475	905	670
1" - 8	340	250	875	645	1230	910
1" - 12	370	275	955	705	1350	995
1-1/8" - 7	480	355	1080	795	1750	1290
1 1/8" - 12	540	395	1210	890	1960	1440
1 1/4" - 7	680	500	1520	1120	2460	1820
1 1/4" - 12	750	555	1680	1240	2730	2010
1 3/8" - 6	890	655	1990	1470	3230	2380
1 3/8" - 12	1010	745	2270	1670	3680	2710
1 1/2" - 6	1180	870	2640	1950	4290	3160
1 1/2" - 12	1330	980	2970	2190	4820	3560

Bolt Size (Metric) mm x	Bolt Head Identification					
	 Class 5.8		 Class 8.8		 Class	
	N · m	ft-lb	N · m	ft-lb	N · m	ft-lb
M 5 X 0.8	4	3	6	5	9	7
M 6 X 1	7	5	11	8	15	11
M 8 X 1.25	17	12	26	19	36	27
M 8 X 1	18	13	28	21	39	29
M10 X 1.5	33	24	52	39	72	53
M10 X 0.75	39	29	61	45	85	62
M12 X 1.75	58	42	91	67	125	93
M12 X 1.5	60	44	95	70	130	97
M12 X 1	90	66	105	77	145	105
M14 X 2	92	68	145	105	200	150
M14 X 1.5	99	73	155	115	215	160
M16 X 2	145	105	225	165	315	230
M16 X 1.5	155	115	240	180	335	245
M18 X 2.5	195	145	310	230	405	300
M18 X 1.5	220	165	350	260	485	355
M20 X 2.5	280	205	440	325	610	450
M20 X 1.5	310	230	650	480	900	665
M24 X 3	480	355	760	560	1050	780
M24 X 2	525	390	830	610	1150	845
M30 X 3.5	960	705	1510	1120	2100	1550
M30 X 2	1060	785	1680	1240	2320	1710
M36 X 3.5	1730	1270	2650	1950	3660	2700
M36 X 2	1880	1380	2960	2190	4100	3220

¹ in-tpi = nominal thread dia .in inches-threads per inch
² N· m = newton-meters
³ ft-lb= foot pounds
⁴ mm x pitch = nominal thread dia. in millimeters x thread pitch

Torque tolerance + 0%, -15% of torquing values. Unless otherwise specified use torque values listed above.

Section 8: Appendix

Notes

Section 8: Appendix

Warranty

Land Pride warrants to the original purchaser that this Land Pride product will be free from defects in material and workmanship beginning on the date of purchase by the end user according to the following schedule when used as intended and under normal service and conditions for personal use.

Overall Unit: One year Parts and Labor

Packer Wheels: Considered wear items

This Warranty is limited to the replacement of any defective part by Land Pride and the installation by the dealer of any such replacement part, and does not cover common wear items such as blades, belts, tines, etc. Land Pride reserves the right to inspect any equipment or parts which are claimed to have been defective in material or workmanship.

This Warranty does not apply to any part or product which in Land Pride's judgment shall have been misused or damaged by accident or lack of normal maintenance or care, or which has been repaired or altered in a way which adversely affects its performance or reliability, or which has been used for a purpose for which the product is not designed. Misuse also specifically includes failure to properly maintain oil levels, grease points, and driveline shafts.

Claims under this Warranty must be made to the dealer which originally sold the product and all warranty adjustments must be made through such dealer. Land Pride reserves the right to make changes in materials or design of the product at any time without notice.

This Warranty shall not be interpreted to render Land Pride liable for damages of any kind, direct, consequential, or contingent to property. Furthermore, Land Pride shall not be liable for damages resulting from any cause beyond its reasonable control. This Warranty does not extend to loss of crops, any expense or loss for labor, supplies, rental machinery or for any other reason.

No other warranty of any kind whatsoever, express or implied, is made with respect to this sale; and all implied warranties of merchantability and fitness for a particular purpose which exceed the obligations set forth in this written warranty are hereby disclaimed and excluded from this sale.

This Warranty is not valid unless registered with Land Pride within 30 days from the date of purchase by the end user.



Corporate Office: P.O. Box 5060
Salina, Kansas 67402-5060 USA
www.landpride.com
